

## Water Supply Stops

### Read All Instructions Carefully Before Beginning Installation.

For over 70 years, BrassCraft® water supply stops have set the bar for quality, reliability and proven performance. Machined from solid brass, BrassCraft water stops are available in a variety of styles configurations that offer significant advantages for you and your customer. BrassCraft water stops are designed, machined and assembled in the USA.

KT® Series ¼ Turn Ball Stops are first in its class with a robust design and superior performance. The KT Series precision machined brass ball is specially engineered and mated with PTFE seats to provide smooth operation without freeze ups even after long periods of non-use. The KT Series water stop also features two high-performance o-rings to withstand high temperatures and corrosion from harsh water environments. 100% leak tested

G2® Series ¼ Turn Stops offer durable construction and innovation. One-piece shut off mechanism provides smooth operation without freeze ups even after long periods of non-use. Available with a full range of options, including BrassCraft's push connect technology Multi-turn stops are the industry standard with proven performance. Its one-piece brass body provides strength, durability and long-lasting performance.

### INSTALLATION INSTRUCTIONS

**▲ CAUTION: FOR USE WITH WATER IN ACCESSIBLE LOCATIONS ONLY.**

**▲ CAUTION: DO NOT SWEAT WITHIN 12 INCHES OF A G2™ ¼ TURN VALVE.**

**▲ CAUTION: DO NOT USE G2 OR MULTI-TURN STOPS ON RECIRCULATION SYSTEMS EXCEEDING 115° F.**

**▲ CAUTION: DO NOT USE WITH CONNECTORS HAVING A SOLID BRASS CONE OR BULL NOSE DESIGN - FRACTURES CAN DEVELOP.**

**▲ CAUTION: STOP MUST BE USED IN THE FULLY OPENED OR FULLY CLOSED POSITION.**

**▲ CAUTION: OUTLET MUST BE CAPPED IF STOP IS BEING USED AS A TERMINATION POINT.**

Manufacturer assumes no responsibility for failure due to improper installation.

#### GENERAL INSTRUCTIONS:

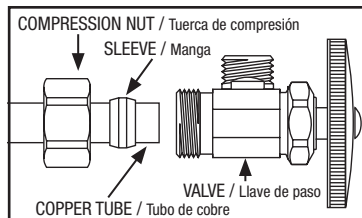
- BrassCraft Water Supply Stops are available in a variety of configurations. Select the inlet and outlet instructions that apply to the product purchased.
- Be sure stub out and riser are square, round and free of burrs.
- Overtightening can cause product to crack and fail over time. See more detailed instructions below:

### COPPER COMPRESSION INLET

**Be sure to shut off water before starting.**

For use with type L or M copper only.

1. Place compression nut and sleeve onto the copper tube.
2. A drop of general purpose oil will make tightening easier.
3. If using a drop of oil or thread sealant be sure the threads are clean of any debris and that sealant is also free of any metal debris. DO NOT USE a putty, gasket material or thread seal tape.
4. If using a thread sealant, apply a thin even coat to the male compression threads only taking care not to get thread sealant on the compression ring or sealing surface. Warning: Excessive thread sealant may cause joint to fail.
5. Hand tighten the compression nut onto the stop as far as it will allow.
6. Using hand tools, tighten ¾ turn from the hand tight position. Note: Make sure that the stop remains seated and square to the copper tube. If the stop is not square to the copper tube, this could affect the ability to get a good connection.
7. For riser tube installation, see that section.



**Tools Needed for Installation:** • Wrench • Tube Cutter

### INSTALLATION INSTRUCTIONS (CONTINUED)

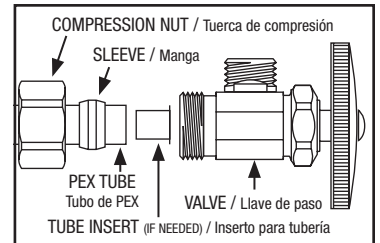
#### PEX COMPRESSION INLET

**Be sure to shut off water before starting.**

For use ASTM F876/F877 PEX only.

**NOTE:** On 3/8" OD and smaller, use plastic compression sleeve. On larger than 3/8" OD, use brass compression sleeve w/stainless steel tube insert.

1. Place compression nut and sleeve onto the PEX tube.
2. If larger than 3/8" OD, insert stainless steel tube insert.
3. A drop of general purpose oil will make tightening easier.
4. If using a drop of oil or thread sealant be sure the threads are clean of any debris and that sealant is also free of any metal debris. DO NOT USE a putty, gasket material or thread seal tape.



5. If using a thread sealant, apply a thin even coat to the male compression threads only taking care not to get thread sealant on the compression ring or sealing surface. Warning: Excessive thread sealant may cause joint to fail.
6. Hand tighten the compression nut onto the stop as far as it will allow.
7. Using hand tools, tighten ¾ turn from the hand tight position. Note: Make sure that the stop remains seated and square to the PEX tube. If the stop is not square to the PEX tube, this could affect the ability to get a good connection.
8. For riser tube installation, see that section.

**Tools Needed for Installation:** • Wrench • Tube Cutter

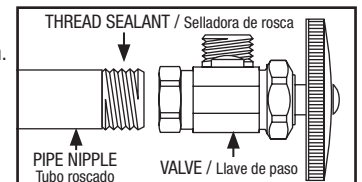
#### FEMALE IRON PIPE (FIP INLET)

**Be sure to shut off water before starting.**

1. Apply thread sealant to pipe nipple. Thread valve onto pipe. Wrench tighten. Make sure outlet is positioned correctly.

**Tools Needed for Installation:**

- Thread sealant • Wrench



#### SWEAT INLET

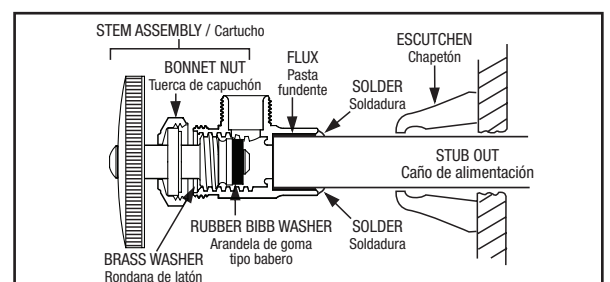
**Be sure to shut off water before starting.**

**NOTE:** Remove complete stem assembly by loosening bonnet nut and unthreading handle to prevent heat damage to washers. Reassemble after installation is complete.

1. Clean outside of copper stub out and inside of fitting/valve with emery cloth or steel wool and remove all loose particles.
2. Coat outside of copper stub out and inside of fitting/valve with flux. Push fitting/valve over stub out and rotate to distribute flux evenly.
3. Apply heat to all sides, checking temperature occasionally by touching end of solder to surface (not to flame). When solder liquefies, temperature is correct. Feed solder around edge of fitting/valve as heat is applied.
4. While stub out is still hot, carefully wipe valve with damp rag to leave an attractive chrome-like finish. Avoid moving fitting/valve until solder hardens.

**Tools Needed for Installation:**

- Emery cloth or steel wool • Flux • Solder • Wrench • Damp rag



## INSTALLATION INSTRUCTIONS (CONTINUED) CPVC INLET

Be sure to shut off water before starting.

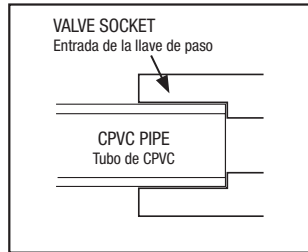
**CAUTION:** USE ONLY CPVC CEMENT OR AN ALL-PURPOSE CEMENT CONFORMING TO ASTM F-493 OR JOINT FAILURE MAY RESULT.

**CAUTION:** ASSEMBLE VALVE ACCORDING TO SOLVENT WELD MANUFACTURER'S INSTRUCTIONS.

1. Cut pipe squarely and remove all inside and outside burrs.
2. Follow solvent weld manufacturer's instructions.

**CAUTION:** TOO MUCH CEMENT CAN CLOG WATERWAYS AND WEAKEN INSERT IN FITTING OR VALVE.

**Tools Needed for Installation:** • CPVC Cleaner/Primer (or fine sandpaper)  
• CPVC Cement • Wrench



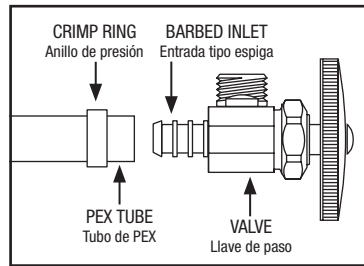
## BARBED PEX INLET

Be sure to shut off water before starting.

For use with ASTM F876 / F877 / F1807 PEX only

**CAUTION:** ASSEMBLE STOP ACCORDING TO CRIMP TOOL MANUFACTURER'S INSTRUCTIONS.

1. Cut PEX tube so the end is square and round.
2. Slide crimp ring over PEX tube.
3. Insert valve barb inlet into PEX tube completely until tube stops at valve body.
4. Position crimp ring over barb area and follow crimp tool manufacturer's instructions to secure.



**Tools Needed for Installation:** • Tube Cutter • Crimp Tool • PEX Crimp Gauge

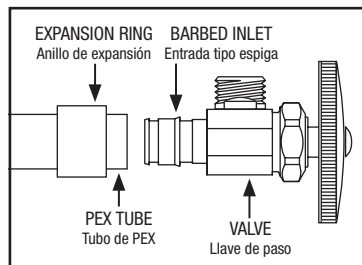
## COLD EXPANSION PEX ON INLET

Be sure to shut off water before starting.

For use ASTM F876/F877/F1960 PEX only.

**CAUTION:** ASSEMBLE STOP ACCORDING TO PEX COLD EXPANSION TOOL MANUFACTURER'S INSTRUCTIONS.

1. Cut PEX tube so that the end is square and round.
2. Slide the PEX reinforcement ring over the PEX tube.
3. Follow the PEX cold expansion tool manufacturer's instructions for installation of the stop barb inlet.
4. For riser tube installation, see that section.



**Tools Needed for Installation:** • Tube Cutter • Expansion Tool

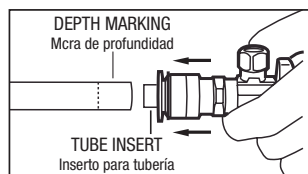
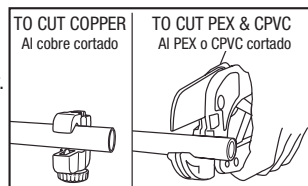
## PUSH CONNECT INLET

- For use with Copper, PEX and CPVC
- For use with water in exposed locations only.

Be sure to shut off water before starting.

### INSTALLATION

1. Cut Copper, PEX or CPVC tube square, round and free of burrs. If sharp edges are not removed, connection may leak. Make sure stub-out length will accommodate depth of stop and flange.



## PUSH CONNECT INLET (CONTINUED)

2. Mark tube: if G2PC, then mark 1-1/8" from end. If G2PS, then mark 1" from end. Push valve onto tube as far as possible, at least to line marking on tube is reached. Tube insert will self align in tubing.

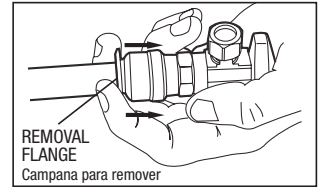
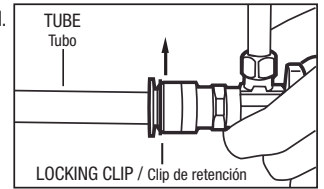
### REMOVAL

1. With water pressure off and system depressurized, be sure to remove supply line and drain any remaining water from tube.
2. Remove locking clip.
3. Position stop firmly in palm as shown. With two fingers, depress removal flange back towards stop and pull from tubing.
4. Before re-installing stop, insert locking clip between removal flange and stop body.

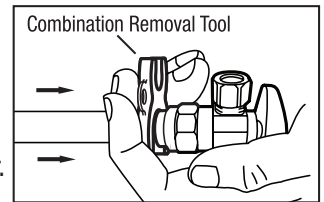
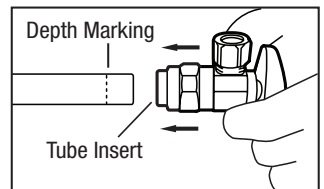
**Tools Needed for Installation:** • Tube Cutter  
• Marker • Measuring Tape

**CAUTION:**

- FAILURE TO PUSH VALVE TO MARK MAY RESULT IN A LEAK.
- DO NOT USE ANY PLUMBER'S PUTTY, PIPE THREAD TAPE, OR OTHER SEALANT TO CONNECT VALVE.
- IF G2 1/4 TURN VALVE INSTALLATION, DO NOT SWEAT WITHIN 12 INCHES OF THE VALVE.
- ONLY INSERT COPPER, PEX OR CPVC TUBING INTO THE VALVE.
- DO NOT ATTEMPT TO REMOVE TUBE SUPPORT.



G2PC



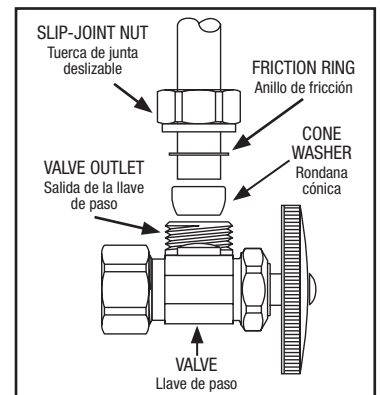
G2PS

## SLIP-JOINT OUTLET

Be sure to shut off water before starting.

**NOTE:** Do not use pipe compound on slip-joint threads.

1. Be sure tube is not flattened out-of-round and all burrs are removed. If tube is oval or out-of-round, do not rely on the nut to correct. Bring into shape before tightening nut. Replace tube if it is grooved, pocked or scarred as abrasions prevent a good seal.
2. Slide slip-joint nut, friction ring and cone washer onto tube.
3. Be sure tube is lined up with valve so it enters straight and "bottoms" true. If cocked or tilted, nut will not seat properly and could eventually develop a leak.
4. Tighten nut, wrench tighten. DO NOT OVERTIGHTEN. Use tape to protect the finish.
5. Turn on main water supply. Turn on valve counterclockwise. If slip-joint nut leaks, turn off water supply. Back off (loosen) nut completely, realign and retighten. DO NOT OVERTIGHTEN as this could lead to future failure.



**Tools Needed for Installation:** • Wrench • Protective tape  
• Sandpaper or file (if necessary)

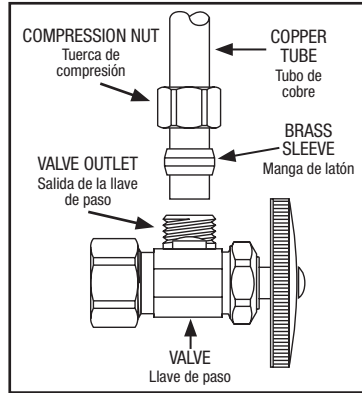
## COPPER COMPRESSION OUTLET

Be sure to shut off water before starting.

1. Cut the riser tube to length so it bottoms out in the stop.
2. Place compression nut and sleeve onto the copper tube.
3. A drop of general purpose oil will make tightening easier.

## COPPER COMPRESSION OUTLET (CONTINUED)

- If using a drop of oil or thread sealant be sure the threads are clean of any debris and that sealant is also free of any metal debris. DO NOT USE a putty, gasket material or thread seal tape.
- If using a thread sealant, apply a thin even coat to the male compression threads only taking care not to get thread sealant on the compression ring or sealing surface. Warning: Excessive thread sealant may cause joint to fail.
- Hand tighten the compression nut onto the stop as far as it will allow.
- Using hand tools, tighten 1 to 1-1/4 turns from the hand tight position. Note: Make sure that the riser remains seated and square to the stop. If the riser is not square to the stop, this could affect the ability to get a good connection.
- For inlet tube installation, see that section.



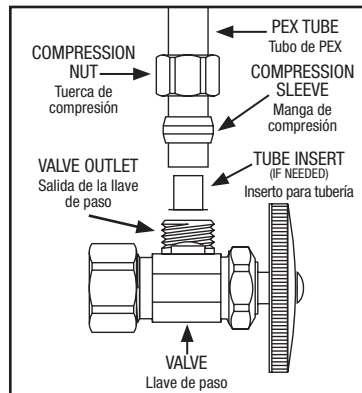
**Tools Needed for Installation:** • Wrench • Tube Cutter

## PEX COMPRESSION OUTLET

**Be sure to shut off water before starting.**

**NOTE:** On 3/8" OD and smaller, use plastic compression sleeve. On tubing larger than 3/8" OD, use brass compression sleeve w/stainless steel tube insert.

- Cut the riser tube to length so it bottoms out in the stop.
- Place compression nut and sleeve onto the PEX tube.
- If larger than 3/8" OD, insert stainless steel tube insert.
- A drop of general purpose oil will make tightening easier.
- If using a drop of oil or thread sealant be sure the threads are clean of any debris and that sealant is also free of any metal debris. DO NOT USE a putty, gasket material or thread seal tape.
- If using a thread sealant, apply a thin even coat to the male compression threads only taking care not to get thread sealant on the compression ring or sealing surface. Warning: Excessive thread sealant may cause joint to fail.
- Hand tighten the compression nut onto the stop as far as it will allow.
- Using hand tools, tighten 1-1/2 to 2 turns from the hand tight position. Note: Make sure that the riser remains seated and square to the stop. If the riser is not square to the stop, this could affect the ability to get a good connection.
- For inlet tube installation, see that section.



**Tools Needed for Installation:** • Wrench • Tube Cutter • General Purpose Oil

## FLEXIBLE NUT X NUT CONNECTOR

**Be sure to shut off water before starting.**

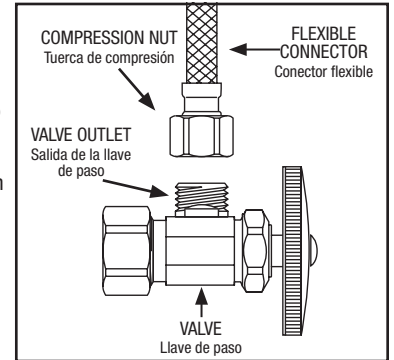
**▲ CAUTION: BE SURE TO IDENTIFY THE CORRECT WATER SUPPLY CONNECTION BEFORE BEGINNING INSTALLATION PROCEDURE. APPLICATION OF THIS CONNECTOR WITH THE INCORRECT WATER SUPPLY CONNECTION MAY CAUSE LEAKS.**

- Shut off water supply at valve.
- Remove old supply tubes.
- Thread wing nut of connector onto faucet shank or toilet ballcock and hand tighten only. For connectors with metal nuts, hand tighten, then wrench tighten 1/4 turn more.

**Tools Needed for Installation:**

- Wrench
- Protective cloth

**NOTE:** Connector includes washers, DO NOT USE THREAD SEALANT.



Manufacturer assumes no responsibility for failure due to improper installation.  
©2016 BrassCraft Mfg. Co., Novi, MI 48375-5331 U.S.A. All Rights Reserved. www.brasscraft.com  
Designed, Machined and Assembled in the U.S.A.

El fabricante no asume ninguna responsabilidad si la instalación no se hace de acuerdo al instructivo.  
Todos los Derechos Reservados. Diseñado, Maquinado y Ensamblado en E.U.A.

## Llave de paso del suministro de agua

Lea todas las instrucciones atentamente antes de comenzar la instalación.

Durante más de 70 años, las válvulas de suministro de agua de BrassCraft® han establecido el estándar de calidad, fiabilidad y de un desempeño comprobado. Maquinadas a partir de latón sólido, las válvulas de agua de BrassCraft están disponibles en una amplia variedad de configuraciones de estilo que ofrecen considerables ventajas tanto para usted como para su cliente. Las válvulas de agua de BrassCraft son diseñadas, maquinadas y ensambladas en EE. UU.

Las válvulas de bola de ¼ de vuelta de la Serie Kt® son las primeras en su clase con un diseño sólido y un desempeño de calidad superior. La bola de latón maquinado con precisión de la Serie KT está diseñada y acoplada especialmente con asientos PTFE para proporcionar un funcionamiento suave y sin congelación, incluso después de largos períodos de desuso.

La válvula de agua de la Serie KT también incluye dos anillos O de alto desempeño que resisten temperaturas altas y la corrosión resultante de entornos con agua duras. Las válvulas de ¼ de vuelta de la Serie G2®, comprobadas 100% contra filtraciones, ofrecen una construcción duradera y un gran nivel de innovación.

El mecanismo de cierre de una sola pieza proporciona un funcionamiento suave y sin congelación, incluso después de largos períodos de desuso. Disponible con una amplia gama de opciones, incluyendo la tecnología de conexión a presión, las válvulas multivuelta de BrassCraft son el estándar de la industria, con un desempeño comprobado.

Su cuerpo de latón de una sola pieza brinda resistencia, durabilidad y un desempeño perdurable.

### INSTRUCCIONES DE INSTALACIÓN

- ▲ **PRECAUCIÓN:** PARA USAR CON AGUA EN UBICACIONES ACCESIBLES SOLAMENTE.
- ▲ **PRECAUCIÓN:** NO SOLDAR A MENOS DE 12 PULGADAS DE UNA VÁLVULA KT® G2™ DE 1/4 DE VUELTA.
- ▲ **PRECAUCIÓN:** NO USAR LLAVES KT, G2 O MULTIVUELTA EN SISTEMAS DE RECIRCULACIÓN QUE EXCEDAN 115 GRADOS F.
- ▲ **PRECAUCIÓN:** NO USAR CONECTORES QUE TENGAN UN CONO DE LATÓN SÓLIDO O UN DISEÑO DE TAPÓN DE CABEZA REDONDA - PUEDEN PRODUCIRSE FRACTURAS.
- ▲ **PRECAUCIÓN:** LA LLAVE DEBE USARSE EN LA POSICIÓN TOTALMENTE ABIERTA O TOTALMENTE CERRADA.
- ▲ **PRECAUCIÓN:** LA SALIDA DEBE ESTAR TAPADA SI LA LLAVE SE USA COMO PUNTO DE TERMINACIÓN.

El fabricante no asume responsabilidad por fallas ocasionadas por una instalación inadecuada.

### INSTRUCCIONES GENERALES:

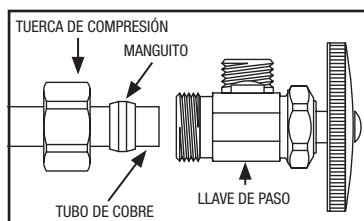
- Compruebe que el tubo saliente de conexión y el ascendente estén a escuadra, sean de sección circular y no tengan rebabas.
- Apretar demasiado puede ocasionar que el producto se raje y presente fallas con el tiempo. Consulte las instrucciones más detalladas que se encuentran a continuación:

## ENTRADA DE COMPRESIÓN DE COBRE

Cierre el suministro de agua antes de comenzar.

Para uso con cobre tipo L o M únicamente.

1. Coloque la tuerca de compresión y el manguito en el tubo de cobre.
2. Una gota de aceite de uso general facilitará el ajuste.



### INSTRUCCIONES DE INSTALACIÓN (CONTINUACIÓN)

3. Si usa una gota de aceite o sellador de roscas compruebe que las roscas estén limpias y sin desechos y que el sellador no tenga desechos metálicos. NO USE masilla, material de juntas ni cinta para sellar roscas.
4. Si usa un sellador de roscas, aplique una capa delgada y uniforme en la rosca de compresión macho únicamente teniendo cuidado de que el sellador de roscas no penetre en el anillo de compresión ni en la superficie a sellar. Advertencia: El sellador de roscas aplicado en exceso puede ocasionar que la junta presente problemas.
5. Apriete a mano la tuerca de compresión en la llave de paso tanto como sea posible.
6. Utilizando herramientas manuales, apriete 3/4 de vuelta de la posición de ajuste manual. Nota: Compruebe que la llave de paso permanece asentada y a escuadra con el tubo de cobre. Si la llave de paso no está a escuadra con el tubo de cobre, esto podría afectar la capacidad de lograr una buena conexión.
7. Para instalación en el tubo ascendente, consulte esa sección.

Herramientas necesarias para la instalación: • Llave de tubo • Cortador de tubo

## ENTRADA DE COMPRESIÓN DE PEX

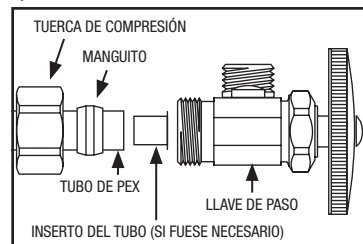
Cierre el suministro de agua antes de comenzar.

Para usos con ASTM F876/F877 de PEX únicamente.

Nota: Para un diámetro externo de 3/8" o menos, use un manguito de compresión plástico. Para un diámetro externo mayor de 3/8", use un manguito de compresión de latón c/inserto de tubo de acero inoxidable.

1. Coloque la tuerca de compresión y el manguito en el tubo de PEX.
2. Para un diámetro externo mayor de 3/8", use un inserto de acero inoxidable.
3. Una gota de aceite de uso general facilitará el ajuste.
4. Si usa una gota de aceite o sellador de roscas compruebe que las roscas estén limpias y sin desechos y que el sellador tampoco tenga desechos metálicos. NO USE masilla, material de juntas ni cinta para sellar roscas.

5. Si usa un sellador de roscas, aplique una capa delgada y uniforme en la rosca de compresión macho únicamente teniendo cuidado de que el sellador de roscas no penetre en el anillo de compresión ni en la superficie a sellar. Advertencia: El sellador de roscas aplicado en exceso puede ocasionar que la junta presente problemas.



6. Apriete a mano la tuerca de compresión en la llave de paso tanto como sea posible.
7. Utilizando herramientas manuales, apriete 3/4 de vuelta de la posición de ajuste manual. Note: Compruebe que la llave de paso permanece asentada y a escuadra con el tubo de PEX. Si la llave de paso no está a escuadra con el tubo de PEX, esto podría afectar la capacidad de lograr una buena conexión.
8. Para instalación en el tubo ascendente, consulte esa sección.

Herramientas necesarias para la instalación: • Llave de tubo • Cortador de tubo

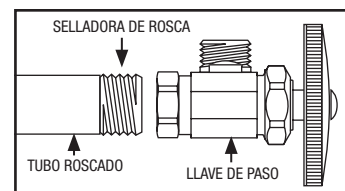
## TUBO DE HIERRO HEMBRA (ENTRADA FIP)

Cierre el suministro de agua antes de comenzar.

1. Aplique sellador de roscas al empalme del tubo. Enrosque la llave de paso en el tubo. Apriete con una llave de tubo. Compruebe que la salida esté ubicada de forma correcta.

Herramientas necesarias para la instalación:

- Sellador de roscas • Llave de tubo

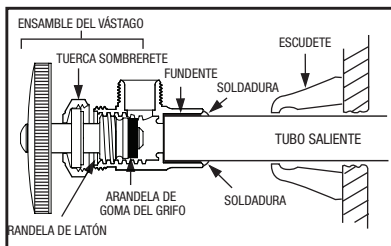


## ENTRADA SOLDADA

Cierre el suministro de agua antes de comenzar.

**NOTA:** Retire el ensamble completo del vástago aflojando la tuerca sombrerete y desenroscando la manija para evitar el daño por calor a las arandelas. Vuelva a colocar después de terminar la instalación.

1. Limpie la parte exterior del tubo saliente de cobre y la parte interior del adaptador/llave de paso con tela esmeril o lana de acero y retire todas las partículas sueltas.
2. Revista la parte exterior del tubo saliente de cobre y la parte interior del adaptador/llave de paso con fundente. Presione el adaptador/llave de paso sobre el tubo saliente y gire para distribuir el fundente uniformemente.
3. Aplique calor en todos los lados, comprobando la temperatura ocasionalmente haciendo contacto con el extremo de la soldadura y la superficie (no la llama). Cuando la soldadura quede licuada, la temperatura es correcta. Coloque soldadura alrededor del extremo del adaptador/llave de paso a medida que aplica calor.
4. Mientras el tubo saliente se encuentra aún caliente, limpie la llave de paso cuidadosamente con un paño mojado para dejar un acabado cromado atractivo. Evite mover el adaptador/llave de paso hasta que la soldadura se endurezca.



**Herramientas necesarias para la instalación:**

- Tela esmeril o lana de acero • Fundente • Soldador • Llave de tubo • Paño húmedo

## ENTRADA DE CPVC

Cierre el suministro de agua antes de comenzar.

**⚠ PRECAUCIÓN: USE SOLO PEGAMENTO CPVC O UN PEGAMENTO MULTIUSO DE CONFORMIDAD CON ASTM F-493 O DE LO CONTRARIO SE PUEDEN PRODUCIR FALLAS EN LA JUNTA.**

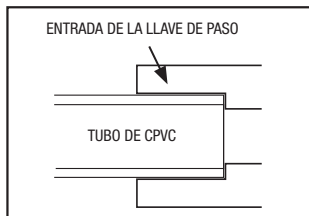
**⚠ PRECAUCIÓN: ENSAMBLE LA LLAVE DE PASO DE ACUERDO CON LAS INSTRUCCIONES DEL FABRICANTE DEL SOLVENTE DE LA SOLDADURA.**

1. Corte el tubo a escuadra y retire todas las rebabas internas y externas.
2. Cumpla con las instrucciones del fabricante del solvente de la soldadura.

**⚠ PRECAUCIÓN: EL EXCESO DE PEGAMENTO PUEDE OBSTRUIR LAS VÍAS NAVEGABLES Y DEBILITAR EL INSERTO EN EL ADAPTADOR O LA LLAVE DE PASO.**

**Herramientas necesarias para la instalación:**

- Limpiador de CPVC /Imprimador (o papel de lija fino)
- Pegamento CPVC • Llave de tubo



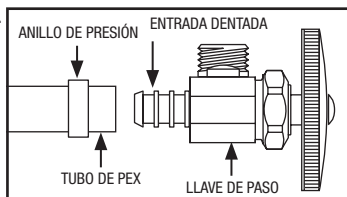
## ENTRADA DENTADA DE PEX

Cierre el suministro de agua antes de comenzar.

Para uso con ASTM F876 / F877 / F1807 de PEX únicamente

**⚠ PRECAUCIÓN: ENSAMBLE LA LLAVE DE PASO DE ACUERDO CON LAS INSTRUCCIONES DEL FABRICANTE DE LA HERRAMIENTA PARA ENGARZAR.**

1. Corte el tubo de PEX para que el extremo quede a escuadra y redondo.
2. Coloque el anillo de la herramienta para engarzar sobre el tubo de PEX.
3. Inserte la entrada dentada de la llave de paso en el tubo de PEX completamente hasta que el tubo se detenga en el cuerpo de la llave de paso.
4. Coloque el anillo de la herramienta para engarzar sobre el área dentada y cumpla con las instrucciones del fabricante de la herramienta sobre cómo fijar.



**Herramientas necesarias para la instalación:**

- Cortador de tubo • Herramienta para engarzar
- Herramienta para engarzar calibrada para el PEX

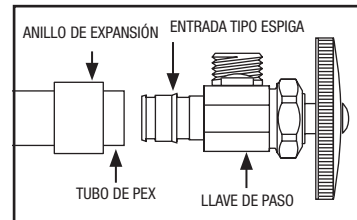
## PEX DE EXPANSIÓN EN FRÍO EN LA ENTRADA

Cierre el suministro de agua antes de comenzar.

Para usos con ASTM F876/F877 de PEX únicamente.

**⚠ PRECAUCIÓN: ENSAMBLE LA LLAVE DE PASO DE ACUERDO CON LAS INSTRUCCIONES DEL FABRICANTE DE LA HERRAMIENTA DE EXPANSIÓN EN FRÍO PARA TUBOS DE PEX.**

1. Corte el tubo de PEX para que el extremo quede a escuadra y redondo.
2. Deslice el anillo de refuerzo de PEX sobre el tubo de PEX.
3. Cumpla con las instrucciones del fabricante de la herramienta de expansión en frío para entrada dentada de llave de paso.
4. Para instalación en el tubo ascendente, consulte esa sección.



**Herramientas necesarias para la instalación:**

- Cortador de tubo • Herramienta de expansión

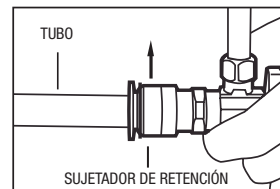
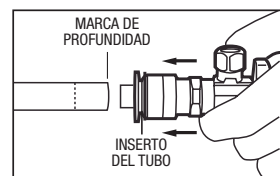
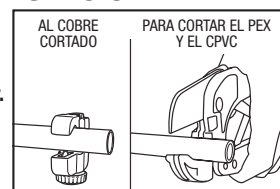
## ENTRADA DEL CONECTOR DE INSERCIÓN

- Para uso con cobre, PEX y CPVC
- Para uso con agua en lugares expuestos únicamente.

Cierre el suministro de agua antes de comenzar.

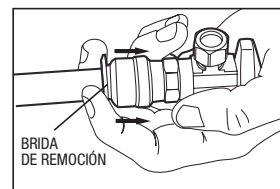
**INSTALACIÓN**

1. Corte el tubo de cobre, PEX o CPVC a escuadra, comprobando que conserve su forma redonda y no tenga rebabas. Si los bordes filosos no se retiran, la conexión podría gotear. Compruebe que el largo del tubo saliente se adecue a la profundidad de la llave de paso y la brida.
2. Marque el tubo: Si es G2PC, marque 1-1/8" (29 mm) desde el extremo. Si es G2PS, marque 1" (25 mm) desde el extremo. Presione la llave de paso en el tubo tanto como sea posible, al menos hasta que alcance la marca en el tubo. El inserto del tubo se alineará automáticamente en la tubería.



**REMOCIÓN**

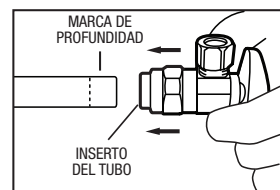
1. Con la presión del agua desactivada y el sistema despresurizado, retire la tubería de suministro y deságüe el agua restante del tubo.
2. Retire el sujetador de retención.
3. Coloque la llave de paso firmemente en la palma de la mano como se ilustra. Utilizando dos dedos oprima la brida de remoción hacia atrás orientada hacia la llave de paso y hale para separarla del tubo.
4. Antes de volver a instalar la llave de paso, inserte el sujetador de retención entre la brida de remoción y el cuerpo de la llave de paso.



**G2PC**

**⚠ PRECAUCIÓN:**

- NO INSERTAR LA LLAVE DE PASO HASTA LA MARCA PUEDE OCASIONAR FUGAS.
- NO UTILICE MASILLA DE PLOMERÍA, CINTA PARA ROSCAS DE TUBOS NI OTRO TIPO DE SELLADORES PARA CONECTAR LA LLAVE DE PASO.
- SI ES UNA INSTALACIÓN DE UNA LLAVE DE PASO G2 DE ¼ DE VUELTA, NO SOLDE EN EL ESPACIO DE 12 PULGADAS (30.5 cm) DE LA LLAVE DE PASO.
- SOLO INSERTE TUBERÍA DE COBRE, PEX O CPVC EN LA LLAVE DE PASO.
- NO INTENTE RETIRAR EL SOPORTE DEL TUBO.



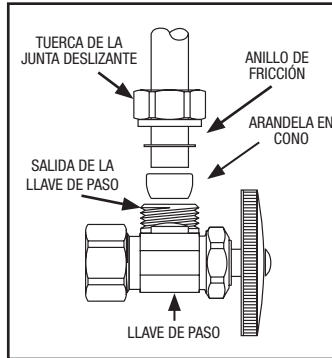
**G2PS**

## SALIDA DE CONEXIÓN DESLIZANTE

Cierre el suministro de agua antes de comenzar.

**NOTA:** No use compuesto para tubos en las roscas de la conexión deslizante

1. Compruebe que el tubo no esté aplanado, que conserve su redondez y que se hayan retirado todas las rebabas. Si el tubo está ovalado o no está redondo, no confíe en la tuerca para corregirlo. Devuélvalo a su forma original antes de apretar la tuerca. Cambie el tubo si está ranurado, perforado o abultado ya que las abrasiones evitan que se logre un buen sello.
2. Coloque la tuerca deslizante, el anillo de fricción y la arandela en cono en el tubo.
3. Compruebe que el tubo esté alineado con la llave de paso para que penetre de forma recta y llegue hasta el fondo. Si está ladeado o inclinado, la tuerca no se asentará adecuadamente y podría eventualmente desarrollarse una fuga.
4. Apriete la tuerca, apriete con una llave de tubo. **NO APRIETE DEMASIADO.** Use cinta para proteger el acabado.
5. Abra el suministro de agua de la tubería principal. Abra la llave de paso en el sentido antihorario. Si la junta deslizante gotea, corte el suministro de agua. Afloje la tuerca completamente, vuelva a alinear y apriete nuevamente. **NO APRIETE DEMASIADO** ya que esto podría conducir a fallas en el futuro.



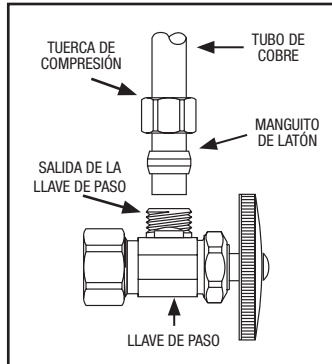
**Herramientas necesarias para la instalación:**

- Llave de tubo • Cinta protectora • Papel de lija o lima (si fuese necesario)

## SALIDA DE COMPRESIÓN DE COBRE

Cierre el suministro de agua antes de comenzar.

1. Corte el tubo ascendente a la medida para que quede insertado completamente en la llave de paso.
2. Coloque la tuerca de compresión y el manguito en el tubo de cobre.
3. Una gota de aceite de uso general facilitará el ajuste.
4. Si usa una gota de aceite o sellador de roscas compruebe que las roscas estén limpias y sin desechos y que el sellador no tenga desechos metálicos. **NO USE** masilla, material de juntas ni cinta para sellar roscas.
5. Si usa un sellador de roscas, aplique una capa delgada y uniforme en la rosca de compresión macho únicamente teniendo cuidado de que el sellador de roscas no penetre en el anillo de compresión ni en la superficie a sellar.
6. Advertencia: El sellador de roscas aplicado en exceso puede ocasionar que la junta presente problemas.
7. Utilizando herramientas manuales, apriete de 1 a 1-1/4 de vuelta de la posición de ajuste manual. Nota: Compruebe que el tubo ascendente permanezca asentado y a escuadra con respecto a la llave de paso. Si el tubo ascendente no está a escuadra con la llave de paso, esto podría afectar la capacidad de lograr una buena conexión.
8. Para la instalación del tubo de entrada, consulte esa sección.



**Herramientas necesarias para la instalación:**

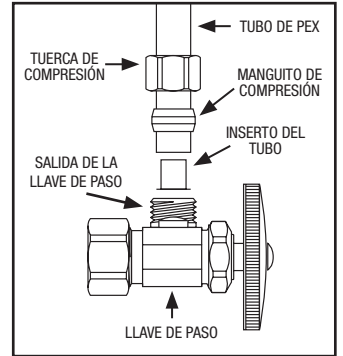
- Llave de tubo • Cortador de tubo

## SALIDA DE COMPRESIÓN DE PEX

Cierre el suministro de agua antes de comenzar.

**NOTA:** Para un diámetro externo de 3/8" o menos, use un manguito de compresión plástico. Para un diámetro externo mayor de 3/8", use un manguito de compresión de latón c/inserto de tubo de acero inoxidable.

1. Corte el tubo ascendente a la medida para que quede insertado completamente en la llave de paso.
2. Coloque la tuerca de compresión y el manguito sobre el tubo de PEX.
3. Para un diámetro externo mayor de 3/8", use un inserto de acero inoxidable.
4. Una gota de aceite de uso general facilitará el ajuste.
5. Si usa una gota de aceite o sellador de roscas compruebe que las roscas estén limpias y sin desechos y que el sellador no tenga desechos metálicos. **NO USE** masilla, material de juntas ni cinta para sellar roscas.
6. Si usa un sellador de roscas, aplique una capa delgada y uniforme en la rosca de compresión macho únicamente teniendo cuidado de que el sellador de roscas no penetre en el anillo de compresión ni en la superficie a sellar. Advertencia: El sellador de roscas aplicado en exceso puede ocasionar que la junta presente problemas.
7. Apriete a mano la tuerca de compresión en la llave de paso tanto como sea posible.
8. Utilizando herramientas manuales, apriete de 1-1/2 a 2 vueltas con respecto a la posición de ajuste manual. Nota: compruebe que el tubo ascendente permanezca asentado y a escuadra con respecto a la llave de paso. Si el tubo ascendente no está a escuadra con la llave de paso, esto podría afectar la capacidad de lograr una buena conexión.
9. Para la instalación del tubo de entrada, consulte esa sección.



**Herramientas necesarias para la instalación:**

- Llave de tubo • Cortador de tubo • Aceite de Uso General

## TUERCA FLEXIBLE X TUERCA DEL TUBO ASCENDENTE

Cierre el suministro de agua antes de comenzar.

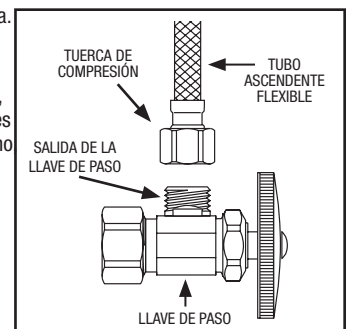
**▲ PRECAUCIÓN: ASEGURESE DE LOCALIZAR LA CONEXION DEL SUMINISTRO DE AGUA ANTES DE EMPEZAR SU INSTALACION. SI CONECTARA EL CONECTOR A UN TUBO DE SUMINISTRO EQUIVOCADO, PODRIA CAUSAR FUGAS.**

1. Cierre el suministro de agua en la válvula.
2. Retire los tubos de suministro usados.
3. Enrosque la tuerca de mariposa del conector a la tuerca de plástico del grifo, apriete solo con la mano. Para conectores con tuercas de metal, apriete con la mano y después apriete con la llave inglesa o herramienta, 1/4 de vuelta más.

**Herramientas Necesarias:**

- Llave • Tela protectora

**NOTA:** El conector incluye rondanas, **NO UTILICE SELLADOR DE ROSCA.**



Manufacturer assumes no responsibility for failure due to improper installation.  
 ©2016 BrassCraft Mfg., Novi, MI 48375-5331 U.S.A. All Rights Reserved. www.brasscraft.com  
 Designed, Machined and Assembled in the U.S.A.  
 El fabricante no asume ninguna responsabilidad si la instalación no se hace de acuerdo al instructivo.  
 Todos los Derechos Reservados. Diseñado, Maquinado y Ensamblado en E.U.A.