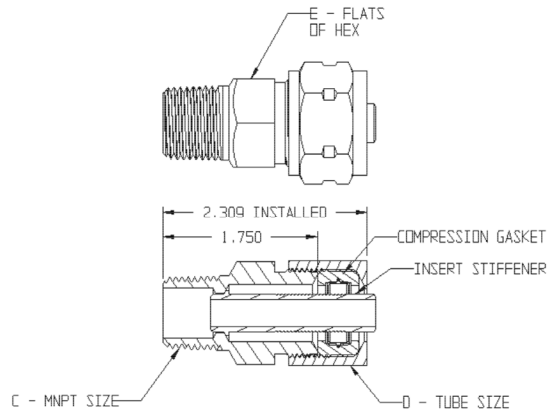


# SUBMITTAL DATA SHEET

## 597 Adapters

MNPT X Plastic



PART NO.	A	B	C	D	E	WALL	SDR
M597C1S090	1.750	2.15	1/2" MNPT	1/2" CTS	1.00	.090"	7
M597C2S090	2.062	2.46	3/4" MNPT	1/2" CTS	1.06	.090"	7
M597C11S090	1.906	2.34	1/2" MNPT	1/2" IPS	1.38	.090"	9.3
M597C12S090	1.906	2.34	3/4" MNPT	1/2" IPS	1.38	.090"	9.3
M597C32S095	1.937	2.45	3/4" MNPT	3/4" IPS	1.50	.095"	11
M597C53S119	2.630	3.18	1" MNPT	1" IPS	2.13	.119"	11
M597C74S151	2.873	3.56	1 1/4" MNPT	1 1/4" IPS	2.25	.151"	11
M597C74S166	2.873	3.56	1 1/4" MNPT	1 1/4" IPS	2.25	.166"	10
M597C82S173	2.648	3.43	1 1/2" MNPT	1 1/2" IPS	2.63	.173"	11
M597C96S216	3.087	3.98	2" MNPT	2" IPS	3.00	.216"	11

## SUBMITTAL INFORMATION

- Bodies, Nuts and Stiffeners made of C12L14 Steel
- 75 Durometer Buna-N Seals
- Ferrules made of C1050 Steel
- Gray E Coating per ASTM D870, ASTM D1735, ASTM D2794, ASTM D3363
- ZDC = Yellow Trivalent Zinc Plating per ASTM B633 VI
- Meets all applicable requirements defined under 49CFR Part 192, D.O.T. 192.281, 192.283(b), 192.375, ASTM D2513 Category 1, ASTM F1973, ASTM F1948-12 Category 1, NFPA 58, NFPA 54 (ANSI Z223.1) and IFGC Section 403. IAPMO/UPC/IPC Listed.



**Chicago Fittings**  
3170 E Colley Road  
Beloit, WI 53511

**Toll Free:** 1-877-638-9009  
**Fax:** 1-608-299-8901  
**Hours:** 7:30 a.m. – 4:30 p.m., CST

info@chicagofittngs.com  
[www.chicagofittngs.com](http://www.chicagofittngs.com)

Chicago Fittings considers the information on this assembly drawing correct when published. Item and option availability, including specifications, are subject to change without notice.

**Submitted by:**