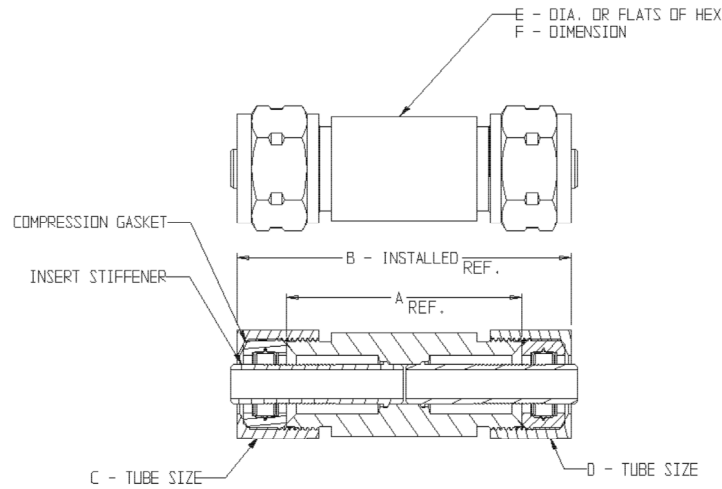


SUBMITTAL DATA SHEET

M750PP Couplings

Plastic X Plastic



PART NO.	A	B	C	D	E	F	WALL	SDR
M750C10	2.568	3.37	1/2" CTS	1/2" CTS	DIAMETER	1.13	.090"	7
M750C13	2.605	3.47	1/2" IPS	1/2" IPS	HEX	1.38	.090"	9.3
M750C17	2.680	3.70	3/4" IPS	3/4" IPS	HEX	1.50	.095"	11
M750C21	2.743	3.84	1" IPS	1" IPS	HEX	2.13	.119"	11
M750C27	2.880	4.26	1 1/4" IPS	1 1/4" IPS	HEX	2.25	.151"	11
M750C27-166	2.880	4.26	1 1/4" IPS	1 1/4" IPS	HEX	2.25	.166"	10
M750C31	3.326	4.88	1 1/2" IPS	1 1/2" IPS	HEX	2.63	.173"	11
M750C38	3.337	5.12	2" IPS	2" IPS	HEX	3.00	.216"	11

SUBMITTAL INFORMATION

- Bodies, Nuts and Stiffeners made of C12L14 Steel
- 75 Durometer Buna-N Seals
- Ferrules made of C1050 Steel
- Gray E Coating per ASTM D870, ASTM D1735, ASTM D2794, ASTM D3363
- ZDC = Yellow Trivalent Zinc Plating per ASTM B633 VI
- Meets all applicable requirements defined under 49CFR Part 192, D.O.T. 192.281, 192.283(b), 192.375, ASTM D2513 Category 1, ASTM F1973, ASTM F1948-12 Category 1, NFPA 58, NFPA 54 (ANSI Z223.1) and IFGC Section 403. IAPMO/UPC/IPC Listed.



Chicago Fittings
3170 E Colley Road
Beloit, WI 53511

Toll Free: 1-877-638-9009
Fax: 1-608-299-8901
Hours: 7:30 a.m. – 4:30 p.m., CST

info@chicagofittngs.com
www.chicagofittngs.com

Chicago Fittings considers the information on this assembly drawing correct when published. Item and option availability, including specifications, are subject to change without notice.

Submitted by: