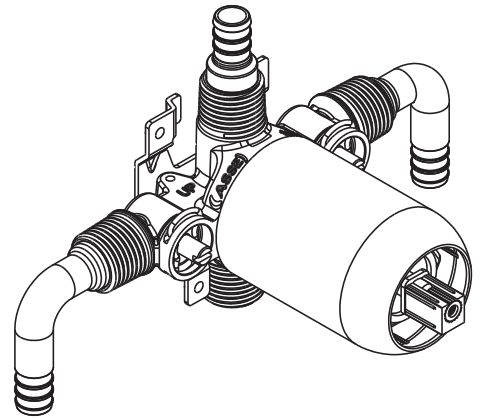


Model: 45320



A Moen Incorporated Brand



Pressure Balancing Tub/Shower Cycling In-Wall Valve

DESCRIPTION

- Brass construction
- Pressure balancing 4 port cycling valve
- Inlets - 1/2" PEX adaptors, 90° elbow, pointed down
- Shower outlet - 1/2" PEX adaptor, straight
- Male IPS/CC tub outlet
- Valve comes completely assembled with nose cone, cartridge and plaster ground
- Twelve (12) individual boxes per master carton
- Do not use plastic pipe for tub drop
- Not intended for use with Wirsbo™ PEX

OPERATION

- Pressure balancing mechanism maintains selected discharge temperature to +- 3.6°F
- For use with stud thicknesses 2-1/2" or greater

CARTRIDGE

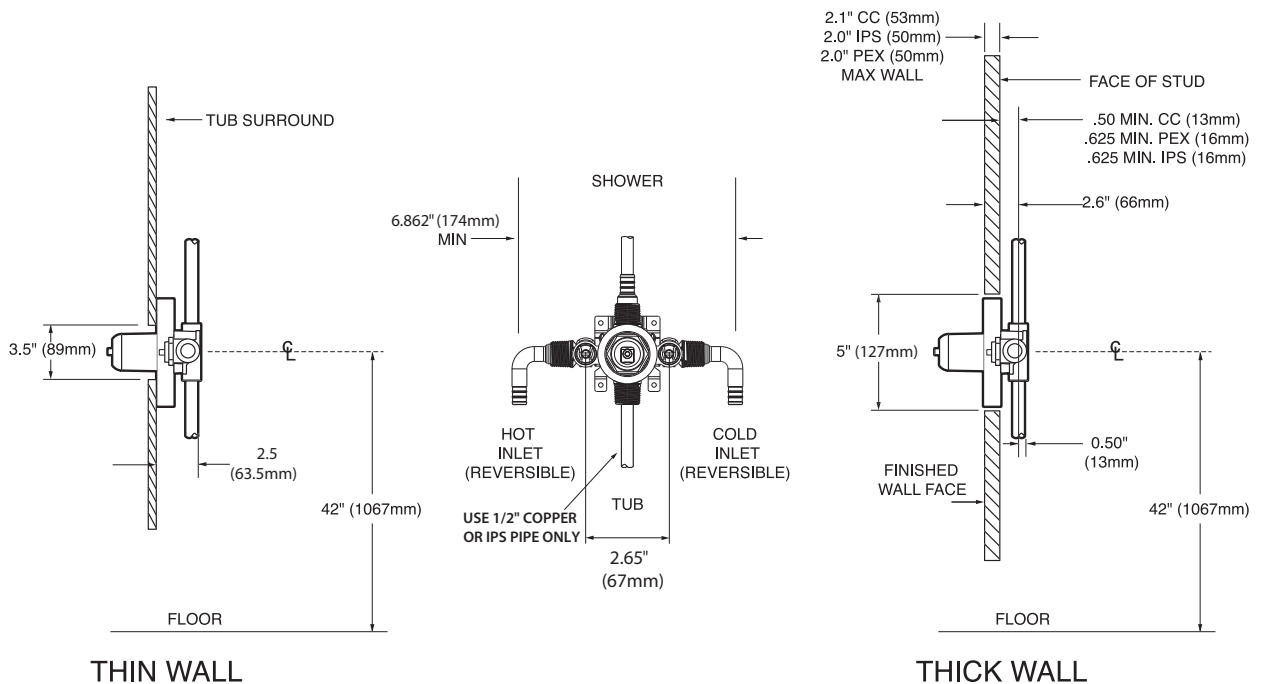
- Ceramic disc technology
- Non-metallic, non-ferrous, and plastic material

STANDARDS

- Third party certified to ASME A112.18.1/CSA B125.1, ASSE, and all applicable requirements referenced therein, California Proposition 65, Illinois, Massachusetts, and Texas
- All CFG products are compliant to all plumbing codes that require 3rd party certification to the applicable plumbing/fitting standards

WARRANTY

- Ten (10) year limited warranty against defects in materials and manufacturing workmanship
- Refer to the installation instructions enclosed with each CFG product or call 1-888-450-5522 for complete warranty information.



THIN WALL

THICK WALL