

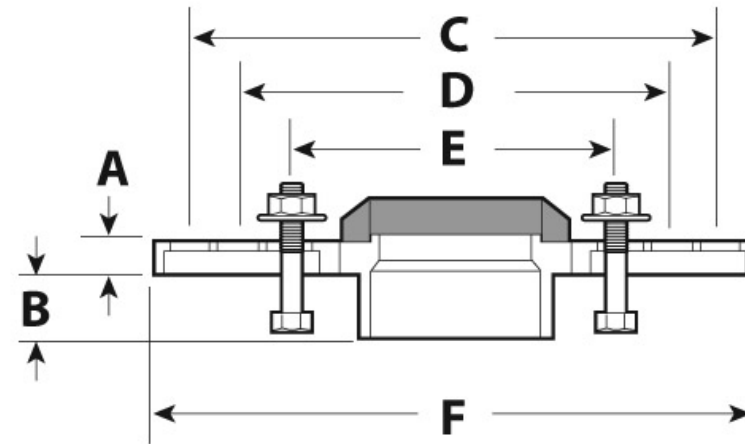


Submittal Sheet

Part Description:
 2" ABS DWV Urinal Flange Kit with an
 Adjustable 4" to 7" Center X 2" Hub

Part Number:
 113663

Approvals and Listings maintained by:
 Canplas Industries Ltd
 Canada: 1-800-461-5300 USA: 1-888-461-5307



Part #	Part UPC	Colour	Size (inches)	Ctn Qty	Ctn Bar Code	Ctn. Wt (Kgs)	Ctn. Wt (lbs)	Skid Cubic (m)	Skid Cubic (ft)	Ctns/Skid
113663	662671119216	BLACK	2	20	10662671119213	3.17	6.97	1.79	63.37	72

Dimensions (inches)

A	B	C	D	E	F
0.40	7.03	7.03	5.56	4.00	8.09