

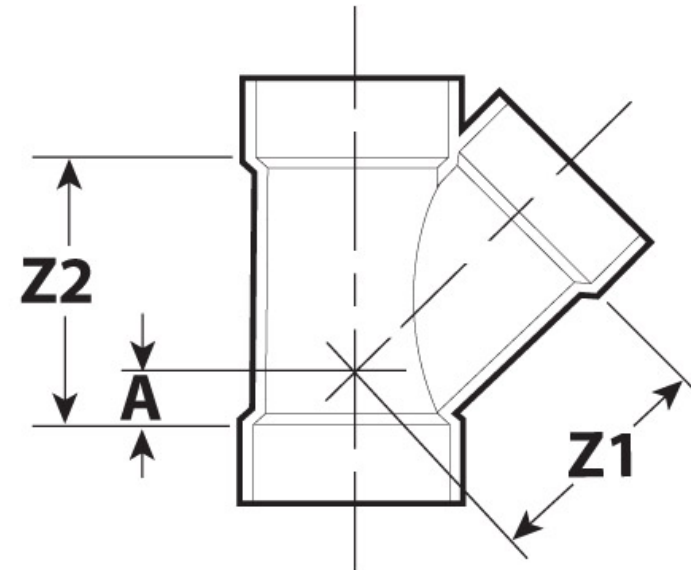


Submittal Sheet

Part Description:
1-1/2" PVC DWV Wye H X H X H

Part Number:
202301

Approvals and Listings maintained by:
Canplas Industries Ltd
Canada: 1-800-461-5300 USA: 1-888-461-5307



Part #	Part UPC	Colour	Size (inches)	Ctn Qty	Ctn Bar Code	Ctn. Wt (Kgs)	Ctn. Wt (lbs)	Skid Cubic (m)	Skid Cubic (ft)	Ctns/Skid
202301	662671200433	GREY	1-1/2X1-1/2X1-1/2	70	10662671200430	9.65	21.23	1.86	65.82	32

Dimensions (inches)

A	Z1	Z2
0.51	2.38	2.92