

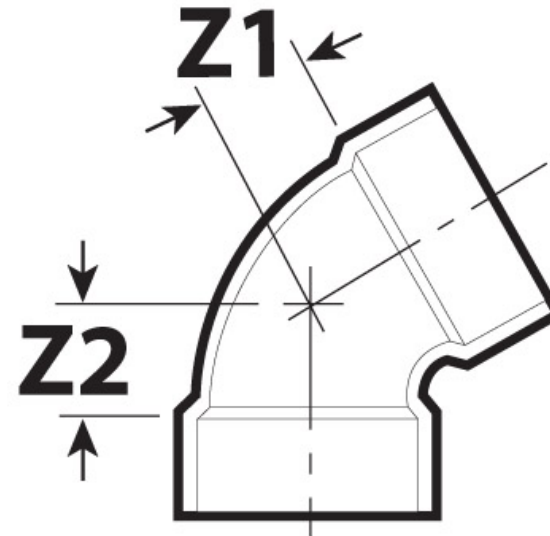


Submittal Sheet

Part Description:
 4" PVC WHITE DWV 1/6 or 60 Degree Extra
 Long Turn Bend or Elbow H X H

Part Number:
 202604

Approvals and Listings maintained by:
 Canplas Industries Ltd
 Canada: 1-800-461-5300 USA: 1-888-461-5307



Part #	Part UPC	Colour	Size (inches)	Ctn Qty	Ctn Bar Code	Ctn. Wt (Kgs)	Ctn. Wt (lbs)	Skid Cubic (m)	Skid Cubic (ft)	Ctns/Skid
202604	662671200952	GREY	4X4	10	10662671200959	7.10	15.62	1.86	65.82	32

Dimensions (inches)

Z1	Z2
1.97	2.05