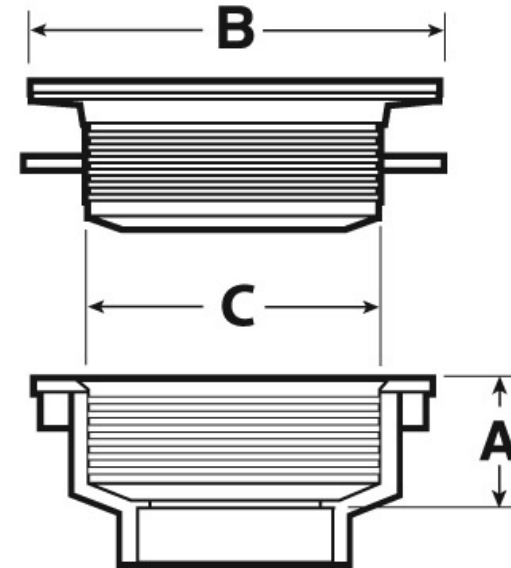


**canplas**<sup>®</sup>  
PLUMBING  
Submittal Sheet

Part Description:  
2" PVC WHITE Shower Drain with  
Female Threaded Body with Snap-In  
Stainless Steel Strainer X H

Part Number:  
322042WSS

Approvals and Listings maintained by:  
Canplas Industries Ltd  
Canada: 1-800-461-5300 USA: 1-888-461-5307



Part #	Part UPC	Colour	Size (inches)	Ctn Qty	Ctn Bar Code	Ctn. Wt (Kgs)	Ctn. Wt (lbs)	Skid Cubic (m)	Skid Cubic (ft)	Ctns/Skid
322042WSS	662671320193	WHITE	2	25	10662671320190	7.84	17.25	1.79	63.37	72

**Dimensions (inches)**

A	B	C
1.3	4.35	3.21