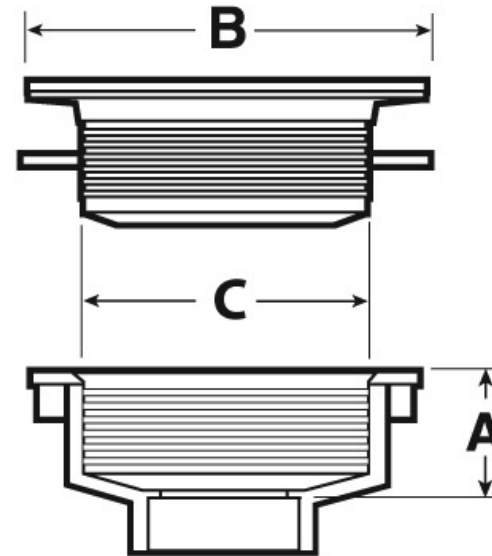


canplas[®]
PLUMBING
Submittal Sheet

Part Description:
1-1/2" ABS DWV Shower Drain, Female
Threaded Body with Snap-In Stainless Steel
Strainer Grate X H

Part Number:
332041SS

Approvals and Listings maintained by:
Canplas Industries Ltd
Canada: 1-800-461-5300 USA: 1-888-461-5307



Part #	Part UPC	Colour	Size (inches)	Ctn Qty	Ctn Bar Code	Ctn. Wt (Kgs)	Ctn. Wt (lbs)	Skid Cubic (m)	Skid Cubic (ft)	Ctns/Skid
332041SS	662671330208	BLACK	37257	25	10662671330205	6.12	13.46	1.79	63.37	72

Dimensions (inches)

A	B	C
1.36	4.35	3.21