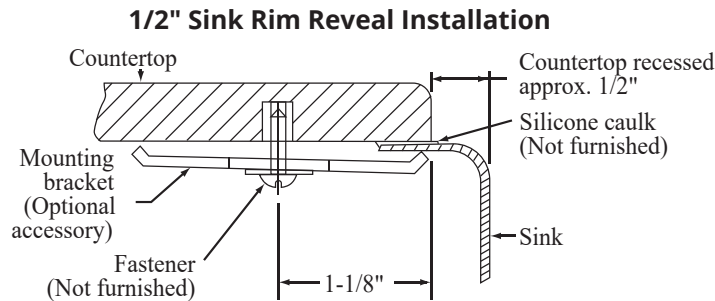


Attention Installer:

- Elkay recommends that undermount sinks be installed by a professional, experienced installer.
- Enclosed in the sink carton is a cutout template that can be used to make the countertop cutout per the installation type of the sink model purchased (1/2" sink rim reveal). Your installer may also retrieve the DXF file from our website, www.elkay.com.
- Elkay undermount sinks should only be fastened to a solid surface countertop (i.e. granite / Corian®). Elkay recommends that the sink cutout and mounting holes be cut by the countertop fabricator prior to installation.
- Elkay is not responsible for the sink or countertop if damaged during installation.
- Metal edges may be sharp. Use caution when handling.
- Follow all local plumbing and building codes.
- Inspect sink for damage prior to beginning installation.

Installation Profile



* 1/2" reveal is required for all accessories to work as shown.

Required Tools (not included)



Installation

WARNING: Always wear safety goggles and gloves when installing the sink to prevent personal injury.

1 Fasten the mounting brackets (optional accessory - LKUCLIP8) loosely into the pre-drilled mounting holes in the countertop.

2 Apply silicone caulk (not included) evenly around the top of the sink flanges.

Position and align the sink under the countertop opening. Press the silicone and flange up onto the countertop.

3 From the underside, lightly tighten the fasteners with a screwdriver until the sink is snug against the countertop.

Check alignment of the sink to the countertop opening and then tighten the fasteners until the sink is tight against the countertop. Do not over tighten.

Wipe away any excess caulk with a rag.

