

12" Rough-in

Features:

□ WS-20-828

- Vitreous China
- 17" Tall, ErgoHeight® ADA Elongated Bowl
- 12" Rough-in
- Featuring the "PowerClean" Flush System
- Fluidmaster 400A Fill Valve
- 3" flush valve for maximum water force
- Corrosion resistant Fluidmaster flapper
- Extra-Large Dual fed siphon jets for high power bowl clearing
- Powerful, 100% glazed, 2" trapway to quickly siphon waste from bowl
- Double nut, multi-point tank-to-bowl mounting system for tool-free installation
- Chrome metal tank lever with solid durable brass arm
- Toilet seat not included



Technical Information:

Included Components:

- Combination WS-20-828
- Bowl AB-21-828
- Tank AH-28-890

Other Tank Options: (bowl to be purchased separately)

- Tank with Right Hand Lever AH-28-890-97
- Insulated Tank with Lid Locking Device AH-28-892-LL

Note: Depth thickness for AH-28-892-LL measures 9 1/4"

Fixtures:

Configuration	Two-piece, Elongated ErgoHeight™
Water per Flush	1.28 gpf (4.8 lpf)
Rough-In	12"
Height	31 3/4"
Width	17 15/16"
Depth	29 3/4"
Trapway	2"
Large Water Surface	8 11/16" x 6 5/16"
Product Weight	92 lbs

Accessories: (to be purchased separately)

Soft Closed Toilet Seat	99-213
-------------------------	--------

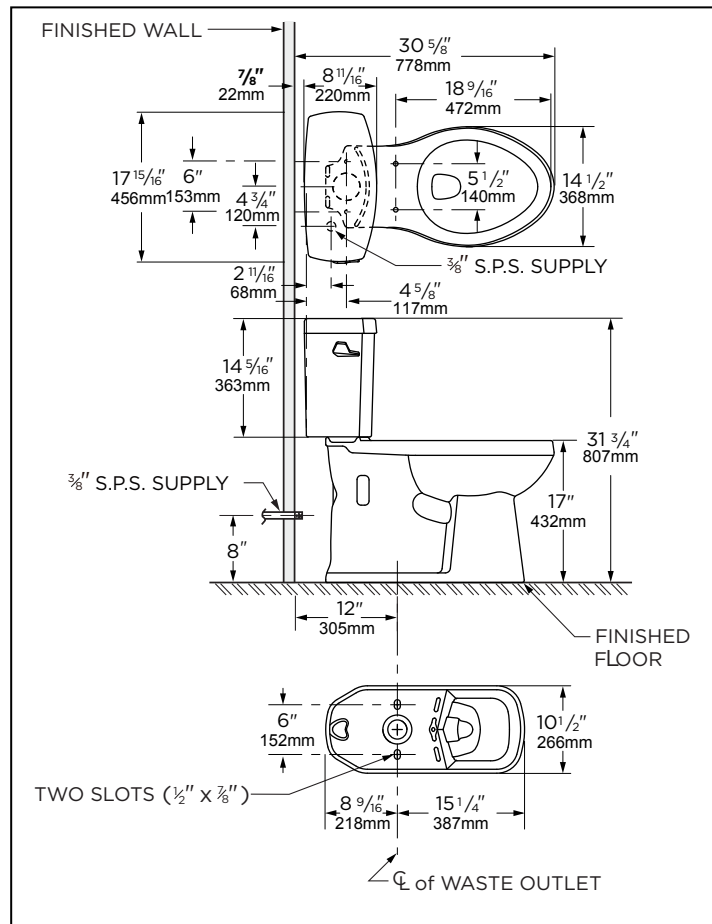
Colors:

- White
- Other: Refer to Price Book for additional colors

Warranty:

- 10 Year Warranty, Limited Lifetime on Vitreous China

revised 2/18



NOTES: All dimensions are in inches and millimeters. Illustrations may not be drawn to scale.

IMPORTANT:

Dimensions of fixtures are nominal and may vary within the range of tolerances established by ASME standard A 112.19.2 THIS FIXTURE QUALIFIES ACCORDING TO ASME TEST PROCEDURES AS A HIGH EFFICIENCY WATER CLOSET WITH AN AVERAGE CONSUMPTION OF 1.28 gpf (4.8 Lpf) OR LESS.