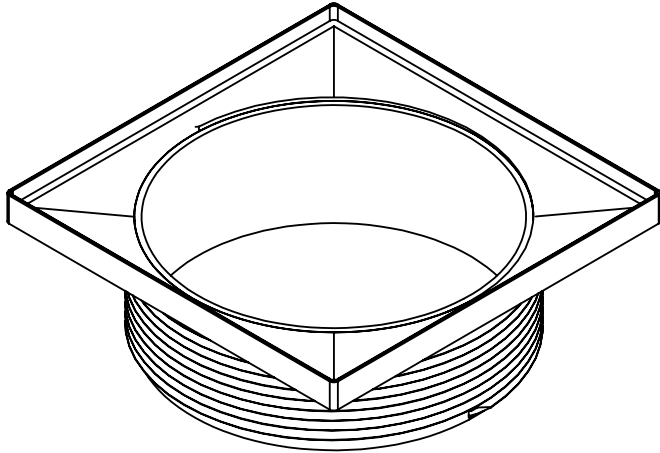


T 54 Specifications

ID Infinity Drain



T 54:

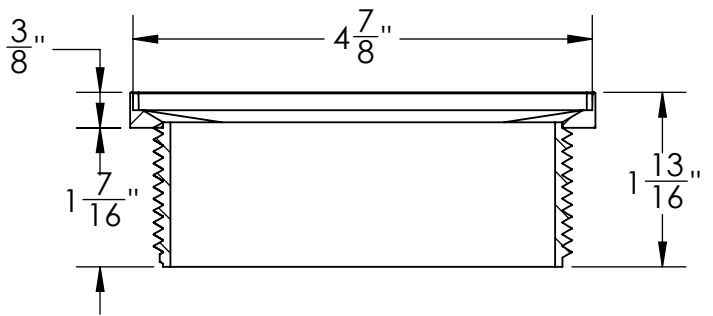
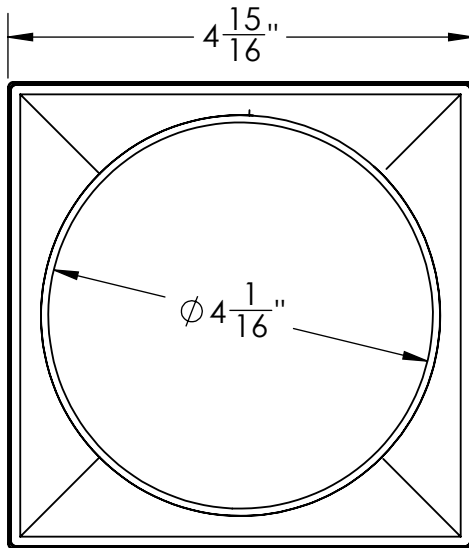
- 5" square throat with 4" outlet
- Pitched towards outlet
- 304L Stainless Steel

Kits:

- XD 5, QD 5, MD 5, KD 5, VD 5, ND 5, WD 5
(High flow kits ONLY)

Finishes:

- Satin Stainless
- Polished Stainless
- Oil Rubbed Bronze
- Satin Bronze
- Matte Black



Infinity Drain
145 Dixon Avenue
Amityville, NY 11701
Phone: 516.767.6786
Fax: 516.740.3066
www.infinitydrain.com



NOTE: Installer must verify all rough-in dimensions prior to installation and consult local and national codes. Conformity and compliance to local and national codes are the responsibility of the installer.