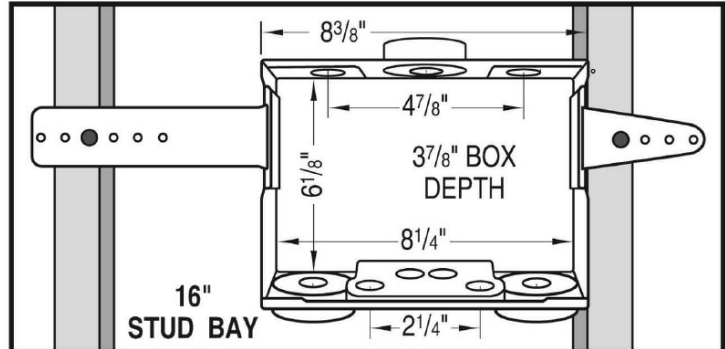
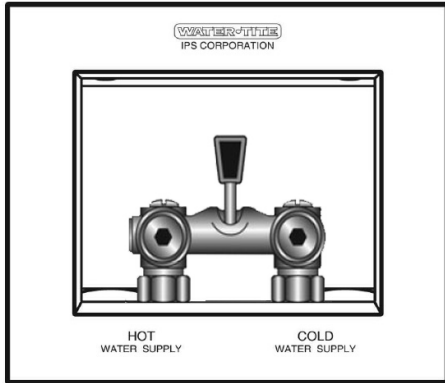


SPECIFICATION SUBMITTAL SHEET



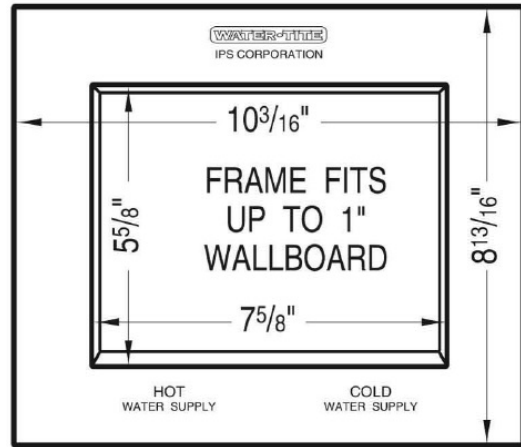
DU-ALL DUAL-DRAIN WMOB with Single Lever Valves



Depth 3 3/8

Specifications:

Furnish and install Du-All dual-drain washing machine outlet box with single lever valve. Du-All box may optionally be installed as top-mount unit. Unit shall be Water-Tite product code as manufactured by IPS Corporation. Valves comply with ASME A.112.18.1.



Item #	Product Description	Model #	Quantity
85630	Single Lever Valve Installed - 1/2" Sweat Conx.	W2800	10
85637	Single Lever Valve Installed - 1/2" CPVC Conx.	W2801	10
85682	Single Lever Valve Installed - 1/2" PEX Conx.	W2800 X	10
Contractor Pack			
85632	Single Lever Valve Installed - 1/2" Sweat Conx.	W2800 CP	20
85638	Single Lever Valve Installed - 1/2" CPVC Conx.	W2801 CP	20
Display Pack			
82017	Display - Single Lever Valve* Installed - 1/2" Sweat Conx.	R2800 B	6

