

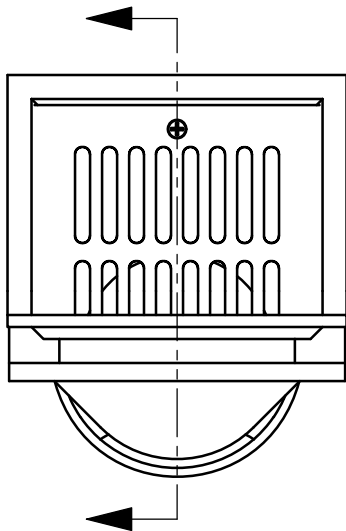
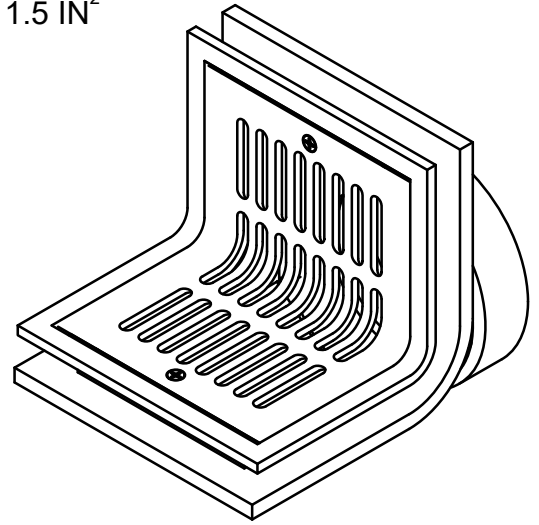
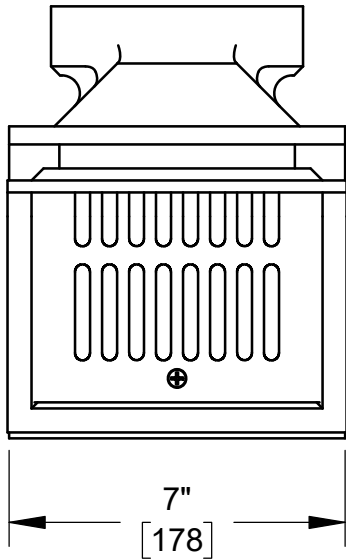
SPECIFICATION:

JOSAM SERIES 85220 COATED CAST IRON 5" X 7" - 90° ANGLE PIT DRAIN WITH ANCHOR FLANGE, SECURED BAR TYPE ANGLE NIKALOY GRATE WITH FRAME AND SIDE OUTLET THREADED CONNECTION.

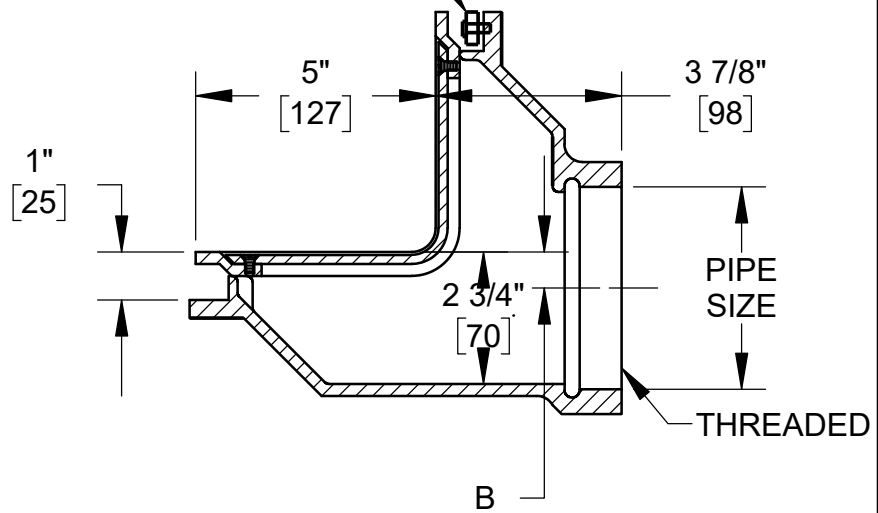
MISC. PRODUCTS
5" X 7" 90° ANGLE STRAINER

SERIES **85220**

GRATE FREE AREA = 11.5 IN²



FLASHING CLAMP
DEVICE OPTIONAL



OPTIONS:

MODEL	PIPE SIZE	B
85222	2"	1-3/4
85223	3"	1-1/4
85224	4"	3/4

-3*	CHROME PLATED BRONZE FACE
-VP*	SECURED FACE, VP SCREWS
-41	CLAMP DEVICE
-42	GROUND SCREW
-47	GALVANIZED CAST IRON PARTS

* THESE OPTIONS REQUIRE
SIGNATURE - NON CANCELABLE
NON RETURNABLE

PRODUCT IS NON-CANCELABLE
AND NON-RETURNABLE

NAME: _____ SIGNATURE: _____ DATE: _____

DATE OF LAST CHANGE: 05/11/21

DIMENSIONS ARE SUBJECT TO MANUFACTURERS
TOLERANCES AND CHANGE WITHOUT NOTICE.
WE CAN ASSUME NO RESPONSIBILITY FOR
USE OF SUPERSEDED OR VOID DATA.

JOSAM
MICHIGAN CITY, INDIANA

NOTES