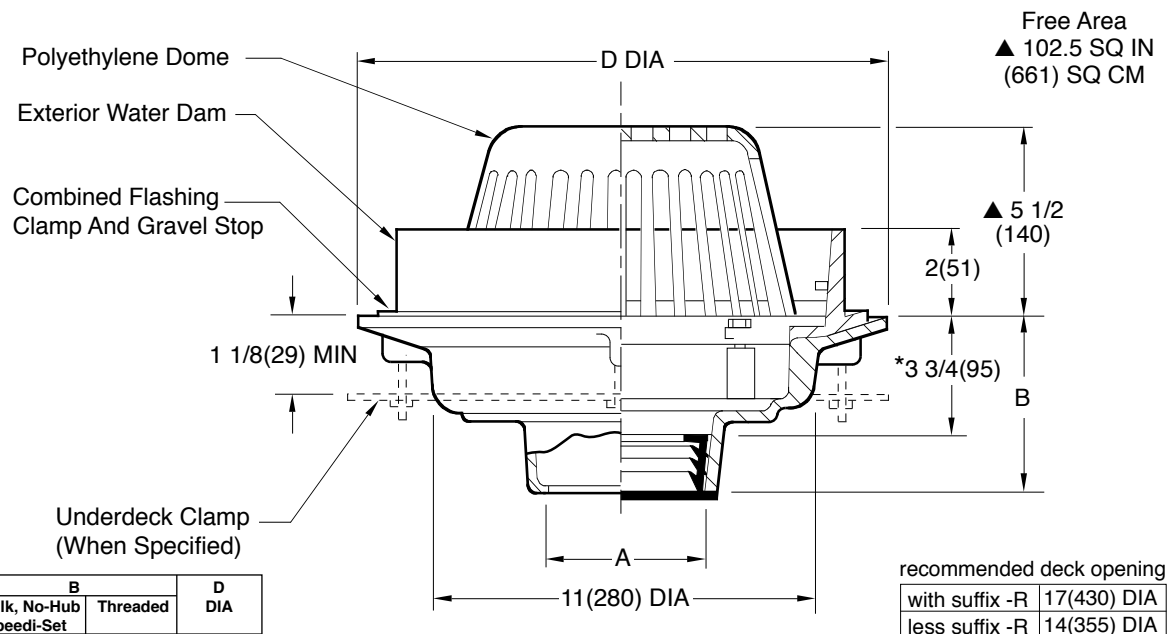


SPECIAL PURPOSE ROOF DRAINS

WATER DAM TYPE

FUNCTION: Used in flat roofs of any construction where a constant height of water is desired on the roof. It may also be used as an emergency overflow for conventional roofs, draining rain water when the depth of the water on the roof reaches the water dam height.



A SIZE	B		D DIA
	Caulk, No-Hub Speedi-Set	Threaded	
02(50), 03(75) 04(100)	5(125)	3 3/4(95)	15 1/4(390)
05(125), 06(150)	5(125)	3 3/4(95)	15 1/4(390)
08(200)-16 10(250)-16	6(150)	5(125)	16(405)

*This Dimension to Internal Stop of Speedi-Set Gasket
NOTE: 08(200) & 10(250) outlet sizes are regularly furnished with a 20(510) dia. flange see back sheet. For 16(405) dia. flange it must be specified as -16. Ex: 1010Y08-16

REGULARLY FURNISHED:
 Duco Cast Iron Body, Flashing Clamp and Gravel Stop with Polyethylene Dome, and Cast Iron Water Dam.

NOTE: Dimensions shown in parentheses are in millimeters.

▲ When 10(250)-16 outlet size is specified dome height becomes 8 1/4(210) and free area of 122.5 SQ IN (790 SQ CM), furnished in cast iron and is not available in polyethylene.

A (Pipe Size) 02(50), 03(75), 04(100), 05(125), 06(150), 08(200)-16 or ▲10(250)-16

- Fig. 1080C CAULK OUTLET
- Fig. 1080Y NO-HUB OUTLET
- Fig. 1080T THREADED OUTLET

NOTE: Stated flow rates for roof drains are based on particular test piping configurations and dimensions. Installed roof drain flow rates cannot be stated unless the attached piping configuration is known and the effects of the drainage calculated.

- VARIATIONS:**
- Adjustable Extension(Specify Fig. 1045)
 - Expansion Joint (Specify Fig. 1710)
 - Extension -E (Specify Height)
 - "L" Shaped Underdeck Clamp -CL
 - L Speedi-Set Service Weight
02(50), 03(75) & 04(100)" sizes only
 - LXH Speedi-Set Extra Heavy
02(50), 03(75) & 04(100)" sizes only
 - Secondary Flashing Clamp -C2
 - Sump Receiver -R
 - Underdeck Clamp -C
 - Vandal Proof Dome -U
 - 2 1/2(64), 3(76) or 4"(100) Water Dams
Available -WD025, -WD03, -WD04

- OPTIONAL MATERIALS:**
- ▲▲ Aluminum Dome -AD
 - ▲▲ Cast Iron Dome -CID
 - Galvanized Cast Iron -G
 - ▲▲ Galvanized Cast Iron Dome -CIDG
 - ▲▲ Rough Bronze Dome -RBD

▲▲ Optional domes' free area are as follows:
 Aluminum 98 (632)
 Cast Iron 80 (516)
 Bronze 95 (613)

DRAWING NUMBER S1080
 SIZE A
 SCALE: NONE
 DATE: 8-19-83
 APPROVED BY: JD
 CHECKED BY: JD
 DRAWN BY: CR
 FIGURE NUMBER 1080

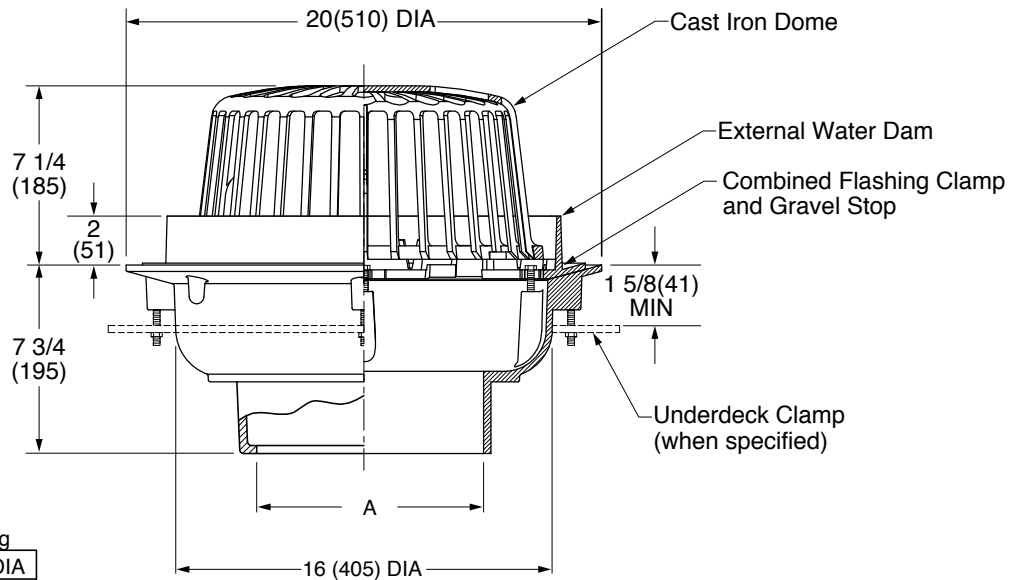
WE CAN ASSUME NO RESPONSIBILITY FOR USE OF SUPERSEDED OR VOID DATA
 DIMENSIONS ARE SUBJECT TO MANUFACTURERS TOLERANCE AND CHANGE WITHOUT NOTICE

L	10-28-15	Added Flow Rate Note	TBW	BW	WEIGHT POUNDS	VOLUME CUBIC FEET	FIGURE NUMBER
K	3-13-13	Rev. Notes	JJ	CL			1080
J	06/04/09	Added Optional Dome Notes	JJ	CL			
H	9-8-08	Rev. Variations	RN	TK			
REV.	DATE	DESCRIPTION	BY	CKD. BY			

OVERFLOW ROOF DRAIN

FUNCTION: Used in flat roof construction as an emergency overflow, draining water when the depth of water on the roof reaches the water dam height. The Large dome provides sufficient free area for quick drainage of rain water and protects the drain sump and connected piping from the intrusion of debris. Wide clamping surface holds flashing and roofing materials without puncturing.

FREE AREA
 228 SQ IN
 (1471 SQ CM)



recommended deck opening	
less suffix -R	18 3/4(475) DIA
with suffix -R	21(535) DIA

A (PIPE SIZE) = 08(200), 10(250) or *12(305)
 *12(305) outlet size available in No-Hub only.

- FIG.1080CCAULK OUTLET
- FIG.1080YNO-HUB OUTLET
- FIG.1080TTHREADED OUTLET

NOTE: Stated flow rates for roof drains are based on particular test piping configurations and dimensions. Installed roof drain flow rates cannot be stated unless the attached piping configuration is known and the effects of the drainage calculated.

REGULARLY FURNISHED:
 Duco Cast Iron Body with External Water Dam, Combined Flashing Clamp and Gravel Stop and Cast Iron Dome.

VARIATIONS:

- Extension (Specify Height) -E
- Secondary Flashing Clamp -C2
- Sump Receiver -R
- Underdeck Clamp -C
- "L" Shaped Underdeck Clamp -CL
- Vandal Proof Dome -U
- Stainless Steel Mesh Over Dome-SSM

OPTIONAL MATERIALS:

- Aluminum Dome -AD
- Galvanized Cast Iron -G
- Galvanized Cast Iron Dome Only -CIDG

DRAWING NUMBER
S1080BS

SIZE
A

SCALE:
NONE

DATE:
3-13-13

APPROVED BY:
CL

CHECKED BY:
CL

DRAWN BY:
TBW

1080BS

WE CAN ASSUME NO RESPONSIBILITY FOR USE OF SUPERSEDED OR VOID DATA

DIMENSIONS ARE SUBJECT TO MANUFACTURERS TOLERANCE AND CHANGE WITHOUT NOTICE

FIGURE NUMBER	A	10-28-15	Added Flow Rate Note	TBW	BW	WEIGHT POUNDS	VOLUME CUBIC FEET	FIGURE NUMBER
REV.	DATE	DESCRIPTION	BY	CKD. BY				1080BS