

SPECIFICATIONS

PRODUCT SPECIFICATIONS

Just Mfg Stainless Steel 16" x 12-1/2" x 5-13/16" No Faucet Ledge Single Bowl Drop-in Lavatory Sink w/Overflow. Sink is manufactured from 18 gauge 304 Stainless Steel with a Lustrous Satin finish, Rear Center drain placement, and Bottom only pads.

Installation Type:	Undermount
Material:	304 Stainless Steel
Finish:	Lustrous Satin
Gauge:	18
Sound Deadening:	Bottom only pads
Number of Bowls:	1
Sink Dimensions:	16" x 12-1/2" x 5-13/16"
Bowl 1 Dimensions:	13-5/8" x 10-1/8" x 5-13/16"
Drain Size:	1-1/2" (38mm)
Drain Location:	Rear Center
Minimum Cabinet Size:	21"
Mounting Hardware:	Included
Cutout Template #:	1000001244

Template is available for download at justmfg.com. CAD software will be required to open the template.



Included with Product: overflow

Quality Grade Plumbing Products. Since 1933 we have become the industry standard for designing and producing quality grade plumbing products and fixtures. Our role as an industry leader remains unsurpassed.

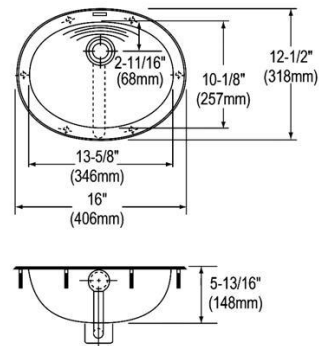


Product Compliance: ADA & ICC A117.1
 ASME A112.19.3/CSA B45.4



Complies with ADA & ICC A117.1 accessibility requirements when installed according to the requirements outlined in these standards.

[Clean and Care Manual \(PDF\)](#)
[Installation Instructions \(PDF\) - 2000000856](#)
[Warranty \(PDF\)](#)



PART: _____ QTY: _____
 PROJECT: _____
 CONTACT: _____
 DATE: _____
 NOTES: _____
 APPROVAL: _____

Included Accessories

In keeping with our policy of continuing product improvement, Just Mfg reserves the right to change product specifications without notice. Please visit justmfg.com for the most current version of Just Mfg product specification sheets. This specification describes a product with design, quality, and functional benefits to the user. When making a comparison of other producers' offerings, be certain these features are not overlooked.

SPECIFICATIONS

Model(s) UOF1619-J

JHL-2-FLX	Just Mfg JHL-2-FLX 9" Round/Oval Overflow Spec Sheet (PDF)	
---------------------------	-------------------------------------------------------------------------------	--

In keeping with our policy of continuing product improvement, Just Mfg reserves the right to change product specifications without notice. Please visit justmfg.com for the most current version of Just Mfg product specification sheets. This specification describes a product with design, quality, and functional benefits to the user. When making a comparison of other producers' offerings, be certain these features are not overlooked.