

# LF Dielectric Union - Female X Sweat • Spec Sheet

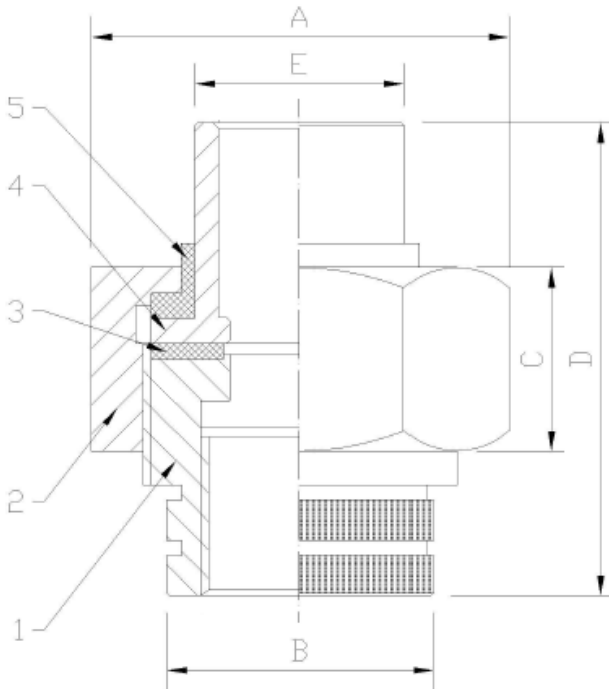


## FEATURES & BENEFITS

- Lead Free Brass\*
- 250 PSI @ 80°F; 125 PSI @ 180°F
- Sizes 1/2" - 2"

## DIMENSIONS

Part #	Size	A	B	C	D	E
DUN-0509LF	1/2"	1.42	1.00	0.77	1.87	0.83
DUN-7559LF	3/4" X 1/2"	1.62	1.26	0.77	1.87	0.83
DUN-0759LF	3/4"	1.62	1.26	0.77	2.11	1.06
DUN-1009LF	1"	1.89	1.50	0.87	2.32	1.30
DUN-1259LF	1-1/4"	2.25	1.81	0.91	2.58	1.58
DUN-1509LF	1-1/2"	2.76	2.13	0.95	2.80	1.81
DUN-2009LF	2"	3.51	2.60	1.06	3.11	2.36



## MATERIAL SPECIFICATIONS

No.	Part	Material
1	IPS Connection	Zinc Coated Cast Steel
2	Nut	Zinc Coated Cast Steel
3	Gasket	EPDM
4	Solder Connection	Brass
5	Insert	Nylon

\*This product complies with 0.25% weighted average lead content on wetted surfaces in accordance with the Safe Drinking Water Act (SDWA) / Federal Public Law No. 111-380.



Global sourcing. National compliance. Local service.

**CALIFORNIA** 5593 Fresca Dr., La Palma CA 90623  
**TEXAS** 1150 Silber Rd., Houston TX 77055  
**ILLINOIS** 278 Windy Point Dr., Glendale Heights, IL 60139  
**NEW YORK** PO Box 27, Rt.22, Brewster NY 10509  
 WEB: [www.matco-norca.com](http://www.matco-norca.com)

• Phone: 866-532-8306 • Fax: 866-532-8307  
 • Phone: 800-935-5456 • Fax: 713-680-2999  
 • Phone: 844-412-5068 • Fax: 800-640-2252  
 • Phone: 800-431-2082 • Fax: 845-278-9056  
 EMAIL: [mail@matco-norca.com](mailto:mail@matco-norca.com)

# LF Dielectric Union - Male X Sweat • Spec Sheet



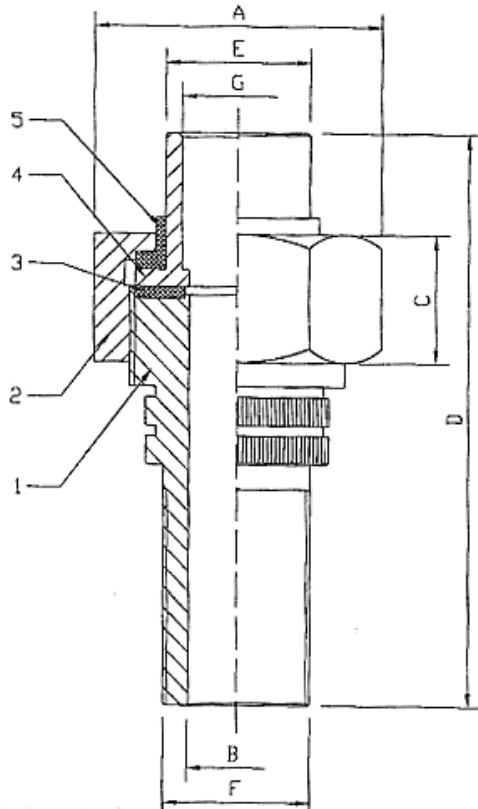
\*Product will have LF imprinted on the body for Lead Free

## FEATURES & BENEFITS

- Lead Free Brass\*
- 250 PSI @ 80°F; 125 PSI @ 180°F
- Sizes 1/2" & 3/4"

## DIMENSIONS

Part #	Size (F)	A	B	C	D	E	G
DUN-0509MLF	1/2"	1.42	1.00	0.77	2.78	0.83	0.63
DUN-759MLF	3/4"	1.62	1.26	0.77	3.05	1.06	0.88



## MATERIAL SPECIFICATIONS

No.	Part	Material
1	IPS Connection	Zinc Coated Cast Steel
2	Nut	Zinc Coated Cast Steel
3	Gasket	EPDM
4	Solder Connection	Brass
5	Insert	Nylon

\*This product complies with 0.25% weighted average lead content on wetted surfaces in accordance with the Safe Drinking Water Act (SDWA) / Federal Public Law No. 111-380.



Global sourcing. National compliance. Local service.

**CALIFORNIA** 5593 Fresca Dr., La Palma CA 90623  
**TEXAS** 1150 Silber Rd., Houston TX 77055  
**ILLINOIS** 278 Windy Point Dr., Glendale Heights, IL 60139  
**NEW YORK** PO Box 27, Rt.22, Brewster NY 10509  
 WEB: [www.matco-norca.com](http://www.matco-norca.com)

• Phone: 866-532-8306 • Fax: 866-532-8307  
 • Phone: 800-935-5456 • Fax: 713-680-2999  
 • Phone: 844-412-5068 • Fax: 800-640-2252  
 • Phone: 800-431-2082 • Fax: 845-278-9056  
 EMAIL: [mail@matco-norca.com](mailto:mail@matco-norca.com)

# LF Dielectric Union - Female X BPT • Spec Sheet



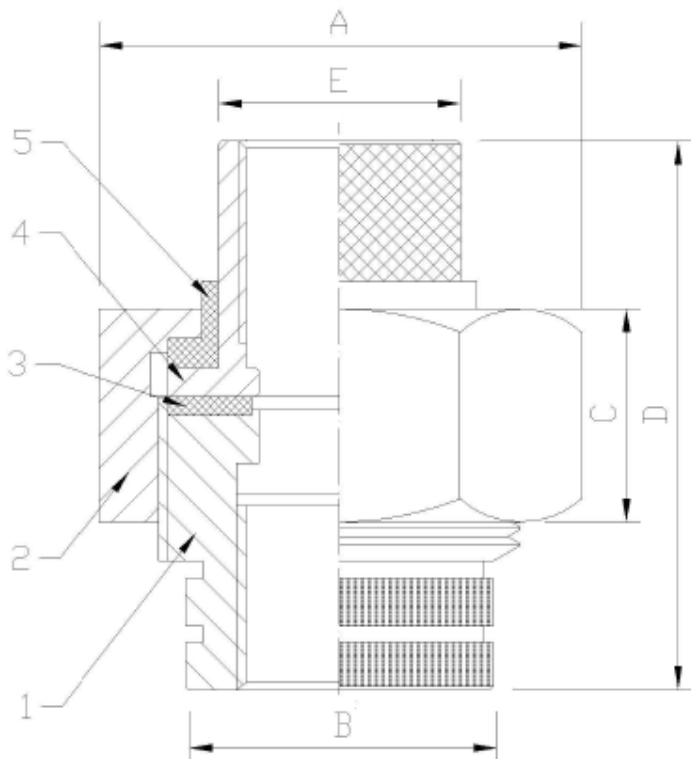
\*Product will have LF imprinted on the body for Lead Free

## FEATURES & BENEFITS

- Lead Free Brass\*
- 250 PSI @ 80°F; 125 PSI @ 180°F
- Sizes 1/2" - 2"

## DIMENSIONS

Part #	Size	A	B	C	D	E
DUN-EA03LF	1/2"	1.62	1.02	0.77	2.21	1.02
DUN-EA04LF	3/4"	1.89	1.26	0.77	2.21	1.26
DUN-EA05LF	1"	2.25	1.50	0.87	2.52	1.46
DUN-EA06LF	1-1/4"	2.76	1.81	0.91	2.72	1.85
DUN-EA07LF	1-1/2"	3.51	2.13	0.91	2.76	2.13
DUN-EA08LF	2"	4.14	2.60	1.10	3.11	2.60



## MATERIAL SPECIFICATIONS

No.	Part	Material
1	IPS Connection	Zinc Coated Cast Steel
2	Nut	Zinc Coated Cast Steel
3	Gasket	EPDM
4	IPS Connection	Zinc Coated Cast Steel
5	Insert	Nylon

\*This product complies with 0.25% weighted average lead content on wetted surfaces in accordance with the Safe Drinking Water Act (SDWA) / Federal Public Law No. 111-380.



Global sourcing. National compliance. Local service.

**CALIFORNIA** 5593 Fresca Dr., La Palma CA 90623  
**TEXAS** 1150 Silber Rd., Houston TX 77055  
**ILLINOIS** 278 Windy Point Dr., Glendale Heights, IL 60139  
**NEW YORK** PO Box 27, Rt.22, Brewster NY 10509  
 WEB: [www.matco-norca.com](http://www.matco-norca.com)

• Phone: 866-532-8306 • Fax: 866-532-8307  
 • Phone: 800-935-5456 • Fax: 713-680-2999  
 • Phone: 844-412-5068 • Fax: 800-640-2252  
 • Phone: 800-431-2082 • Fax: 845-278-9056  
 EMAIL: [mail@matco-norca.com](mailto:mail@matco-norca.com)

# LF Dielectric Union - Female X SWT • Spec Sheet



\*Product will have LF imprinted on the body for Lead Free

## FEATURES & BENEFITS

- Lead Free Brass\*
- 250 PSI @ 80°F; 125 PSI @ 180°F
- Sizes 2-1/2" - 3"

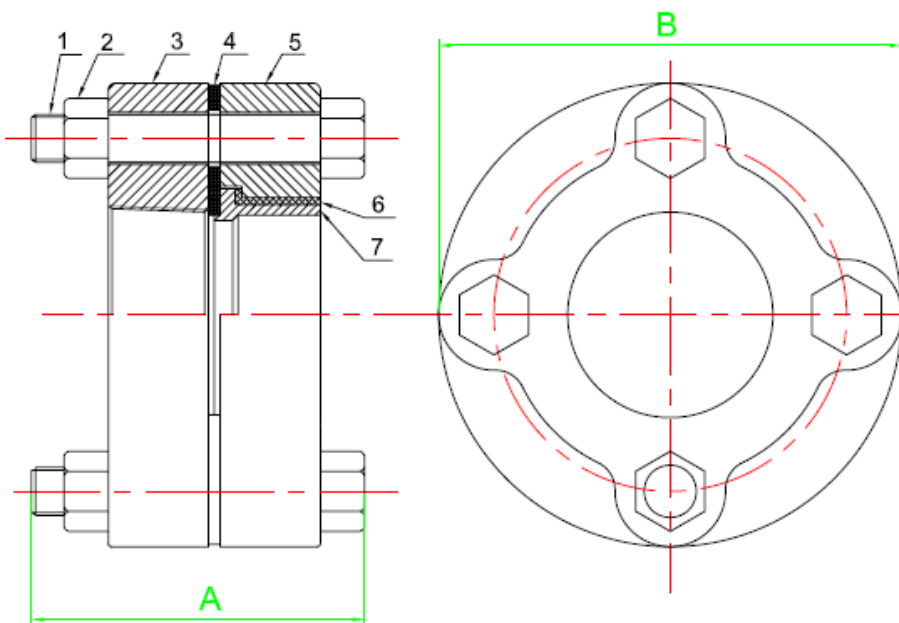
## DIMENSIONS

Part #	Size	A	B
DUN-0909LF	2-1/2"	3.54	6.11
DUN-1010LF	3"	3.74	6.70

## MATERIAL SPECIFICATIONS

No.	Part	Material
1	Bolts	Zinc Coated Steel
2	Nuts	Zinc Coated Steel
3	Flange	Cast Iron W/ Galvanized
4	Gasket	EPDM
5	Flange	Cast Iron W/ Galvanized
6	Insulator	Nylon
7	Solder Connection	Lead Free Brass

\*This product complies with 0.25% weighted average lead content on wetted surfaces in accordance with the Safe Drinking Water Act (SDWA) / Federal Public Law No. 111-380.



Global sourcing. National compliance. Local service.

**CALIFORNIA** 5593 Fresca Dr., La Palma CA 90623

**TEXAS** 1150 Silber Rd., Houston TX 77055

**ILLINOIS** 278 Windy Point Dr., Glendale Heights, IL 60139

**NEW YORK** PO Box 27, Rt.22, Brewster NY 10509

WEB: [www.matco-norca.com](http://www.matco-norca.com)

• Phone: 866-532-8306 • Fax: 866-532-8307

• Phone: 800-935-5456 • Fax: 713-680-2999

• Phone: 844-412-5068 • Fax: 800-640-2252

• Phone: 800-431-2082 • Fax: 845-278-9056

EMAIL: [mail@matco-norca.com](mailto:mail@matco-norca.com)

# LF Dielectric Union - Female X SWT • Spec Sheet

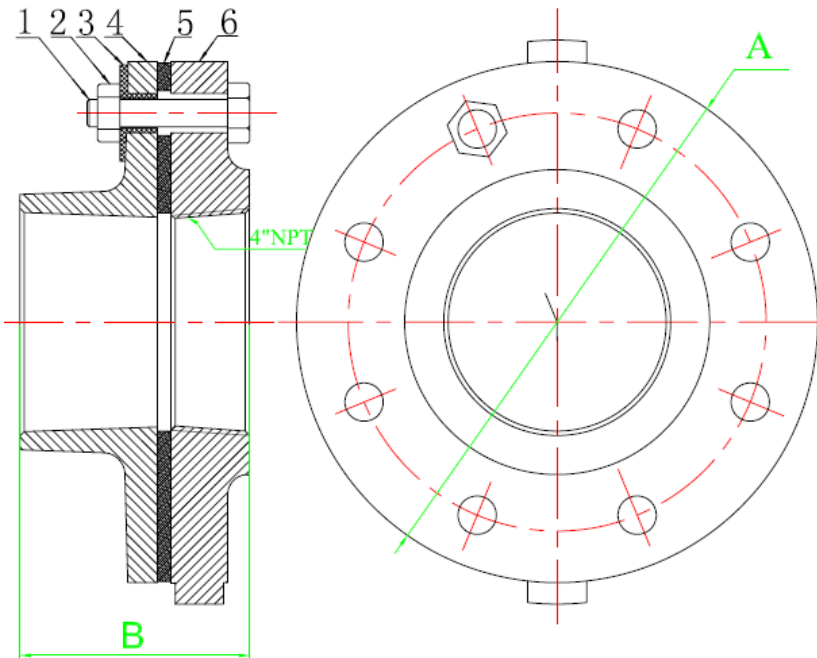


## FEATURES & BENEFITS

- Lead Free Brass\*
- 250 PSI @ 80°F; 125 PSI @ 180°F
- Sizes 4"

## DIMENSIONS

Part #	Size	A	B
DUN-1111LF	4"	9.14	4.53



## MATERIAL SPECIFICATIONS

No.	Part	Material
1	Bolts	Zinc Coated Steel
2	Nuts	Zinc Coated Steel
3	Plastic Gasket	EPDM
4	Flange	Brass
5	Rubber Washer	Nylon
6	Flange	Zinc Coated Cast Iron

\*This product complies with 0.25% weighted average lead content on wetted surfaces in accordance with the Safe Drinking Water Act (SDWA) / Federal Public Law No. 111-380.



Global sourcing. National compliance. Local service.

**CALIFORNIA** 5593 Fresca Dr., La Palma CA 90623  
**TEXAS** 1150 Silber Rd., Houston TX 77055  
**ILLINOIS** 278 Windy Point Dr., Glendale Heights, IL 60139  
**NEW YORK** PO Box 27, Rt.22, Brewster NY 10509  
 WEB: [www.matco-norca.com](http://www.matco-norca.com)

• Phone: 866-532-8306 • Fax: 866-532-8307  
 • Phone: 800-935-5456 • Fax: 713-680-2999  
 • Phone: 844-412-5068 • Fax: 800-640-2252  
 • Phone: 800-431-2082 • Fax: 845-278-9056  
 EMAIL: [mail@matco-norca.com](mailto:mail@matco-norca.com)

# LF Dielectric Union - Female X BPT • Spec Sheet

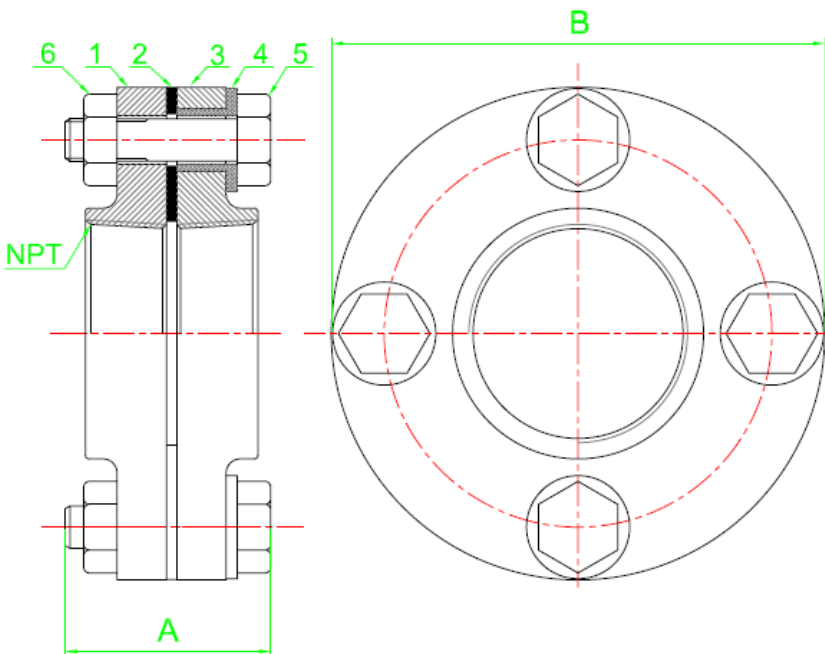


## FEATURES & BENEFITS

- Lead Free Brass\*
- 250 PSI @ 80°F; 125 PSI @ 180°F
- Sizes 2-1/2" - 4"

## DIMENSIONS

Part #	Size	A	B
DUN-GA09LF	2-1/2"	2.36	7.01
DUN-GA10LF	3"	2.52	7.53
DUN-GA11LF	4"	2.76	9.14



## MATERIAL SPECIFICATIONS

No.	Part	Material
1	Flange	Cast Iron W/ Galvanized
2	Gasket	EPDM
3	Flange	Lead Free Bronze
4	Insulator	Nylon
5	Bolts	Zinc Coated Steel
6	Nuts	Zinc Coated Steel

\*This product complies with 0.25% weighted average lead content on wetted surfaces in accordance with the Safe Drinking Water Act (SDWA) / Federal Public Law No. 111-380.



Global sourcing. National compliance. Local service.

**CALIFORNIA** 5593 Fresca Dr., La Palma CA 90623  
**TEXAS** 1150 Silber Rd., Houston TX 77055  
**ILLINOIS** 278 Windy Point Dr., Glendale Heights, IL 60139  
**NEW YORK** PO Box 27, Rt.22, Brewster NY 10509  
 WEB: [www.matco-norca.com](http://www.matco-norca.com)

• Phone: 866-532-8306 • Fax: 866-532-8307  
 • Phone: 800-935-5456 • Fax: 713-680-2999  
 • Phone: 844-412-5068 • Fax: 800-640-2252  
 • Phone: 800-431-2082 • Fax: 845-278-9056  
 EMAIL: [mail@matco-norca.com](mailto:mail@matco-norca.com)