

Location: _____

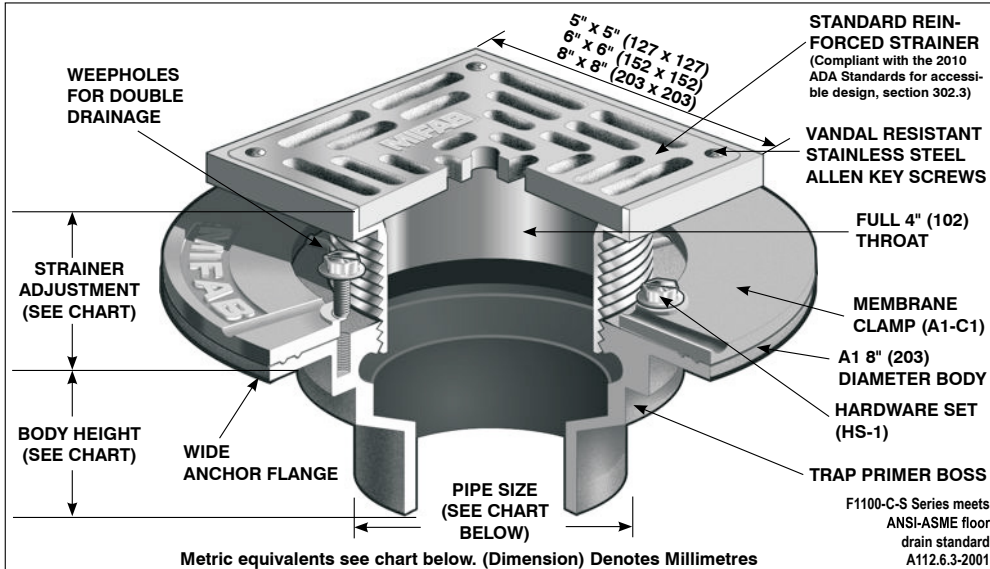


F1100-C-S


SQUARE FLOOR DRAIN FOR MEMBRANE FLOOR AREAS

Specification: MIFAB® Series F1100-C-S lacquered cast iron floor drain with anchor flange, cast iron membrane clamp ring with primary and secondary weepholes for waterproofing membrane, and standard reinforced, (specify size), square (specify material finish) strainer. (For non-membrane floors, use MIFAB F1100-S Series.)


Function: Used in showers, kitchens, restrooms and other membrane finished areas. Square adjustable strainer is used for floors that are finished of material or straight line patterns. Membrane clamp is provided to secure the waterproofing membrane.




PARTS:




A1 BODY



S(*)-(**)
(*) Denotes Strainer Size (5"x5", 6"x6", 8"x8" or 10"x10")
(**) Denotes Strainer Finish (-1, -3 or -4)



A1-C1



HS-1

F1100-C-S Series meets ANSI-ASME floor drain standard A112.6.3-2001

Metric equivalents see chart below. (Dimension) Denotes Millimetres

STRAINER SIZE	STRAINER ADJUSTMENT		ANSI/ASME RATING				PIPE SIZE	BODY HEIGHT				
			FREE AREA	LOAD RATING				NO HUB (STANDARD)	PUSH ON (P)	THREADED (T)	INSIDE CAULK (X)	PVC/ABS (-30)/(-31)
				N.B. (-1)	S.S. (-3)	D.I. (-4)						
5" x 5" (127 x 127)	5/8" (15)	1 9/16" (40)	9 in ² (5800 ²)	UP TO 2000 LBS.	5000-7499 LBS.	--	2" (51) 3" (76)	3" (76) 3" (76)	3 3/8" (86) 3 3/8" (86)	2 1/4" (57) 2 5/8" (67)	3 3/4" (95) 3 3/4" (95)	2 15/16" (75) 3 3/4" (95)
6" x 6" (152 x 152)	7/8" (22)	1 9/16" (40)	12 in ² (7700 ²)	UP TO 2000 LBS.	5000-7499 LBS.	--	4" (102) 5" (127)	3" (76) 3" (76)	3 3/8" (86) --	2 5/8" (67) 2 5/8" (67)	3 3/4" (95) 3 3/4" (95)	3 3/4" (95) --
8" x 8" (203 x 203)	1 1/4" (32)	2 3/16" (56)	26 in ² (16800 ²)	UP TO 2000 LBS.	5000-7499 LBS.	OVER 10000 LBS.	6" (152)	3 1/4" (83)	6 1/2" (165)	--	--	--
10" x 10" (254 x 254)	1 1/4" (32)	2 3/16" (56)	28 in ² (19913 ²)	--	5000-7499 LBS.	--	--	--	--	--	--	--

SUFFIX OPTIONAL VARIATIONS

- 1 Nickel bronze strainer
- 3 Stainless steel strainer (vener for 9")
- 4 Ductile iron grate (8" x 8" only)
- 5 Sediment bucket
- 6 Security screws (T-20 Torx & pin)
- 7 1/2" trap seal primer connection
- 8 Backwater valve (2", 3", 4")
- 11 Acid resistant epoxy coated body
- 13 Galvanized body
- 15 Extension
- 21 Secondary flat stainless steel strainer (2", 3", 4")
- 28 Stainless steel body (Type 304)
- 30 PVC socket connection body
- 31 ABS socket connection body
- 34 Closure plug
- 40 Underdeck clamp
- 41 Sump receiver
- 49 Chrome Plated Strainer

SUFFIX OPTIONAL VARIATIONS

- 90 Threaded side outlet (2", 3", 4") (cast iron only)
- 90NH No hub side outlet (2", 3", 4") (cast iron only)
- 95 Client logo
- BA Buy American Act compliant product
- C2 High rough-in membrane clamp (min. 1 9/16" (40))
- F4 4" Round funnel
- F6 6" Round funnel
- (Standard) No hub outlet
- G Oval 4" x 9" funnel
- HC Heel proof grate (1/4" maximum grate opening size, -3 only)
- J 3" x 1" funnel
- MG MI-GARD Floor Drain Trap Sealer (2", 3" or 4")
- P Push on outlet
- PA Pennsylvania Steel Act compliant product
- T Threaded outlet (2", 3", 4")
- X Inside caulk outlet
- Z Extended wide elastomeric flange

CALIFORNIA PROPOSITION 65 WARNING. This product contains chemicals known to the State of California to cause cancer and birth defects or other reproductive harm.

Job Name: _____ Page No: _____

Section No: _____ Contractor: _____

Schedule No: _____ Purchase Order No: _____