

Take Control.
ION
Technologies

A division of Metropolitan Industries, Inc.



BA33i

Sump Pump

- Basement Sump
- Dewatering

3 YEAR
RESIDENTIAL
WARRANTY



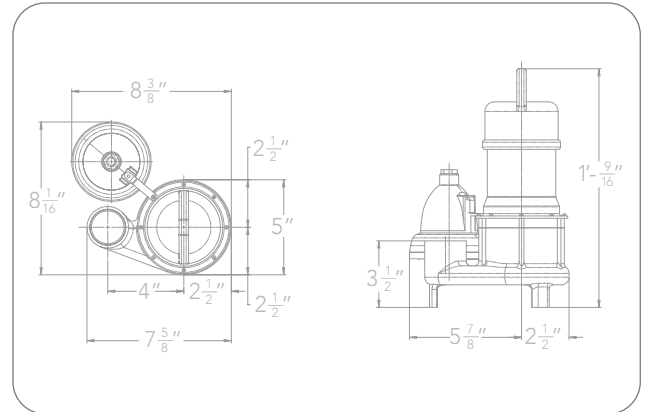
37 Forestwood Dr., Romeoville, IL 60446
www.ionproducts.net [815] 886-9200

Patent No. 8,591,198

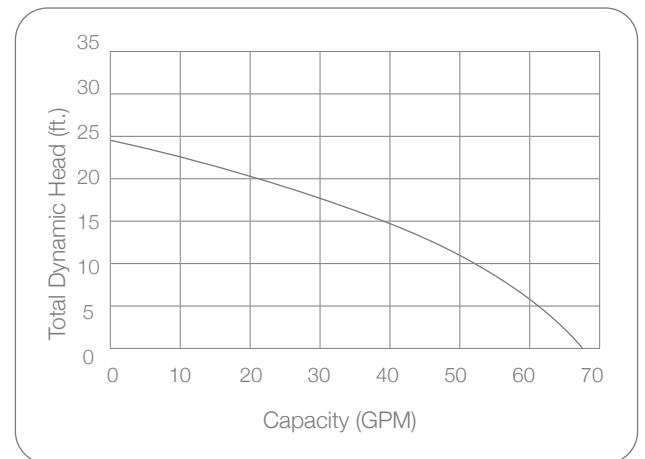
System Specifications

| | |
|--------------------------------|---|
| Typical Applications | <ul style="list-style-type: none"> • Basement sump • Dewatering |
| Maximum Capacity | Up to 68 GPM |
| Maximum Head | Up to 25' |
| Electrical Data | 115 V, 1 Ø, 4.5 FLA, 60 Hz |
| Motor Data | 1/3 HP, 3450 RPM |
| Recommended Minimum Basin Size | 18" x 24" |
| Automatic Operation | i: Ion Digital Level Control (standard) SPI: Vertical float |
| Manual Operation | M: Manual |
| Materials of Construction | Cast iron & stainless steel |
| Impeller | Thermoplastic vortex |
| Power Cord | 10' Standard |
| Discharge Size | 1 1/2" NPT |
| Solids Handling | 1/2" |

Pump Dimensions



Pump Performance



Features

- Energy efficient motor
- Carbon ceramic mechanical seal
- Thermal overload protection
- Ion® digital level control piggyback switch has no moving parts (standard)
- Stainless steel screen prevents debris from entering the pump
- 3 year residential warranty