

Take Control.
ION
Technologies

A division of Metropolitan Industries, Inc.



SHV40i

Sewage Pump

- Light commercial sewage
- Residential sewage
- High-capacity sump
- Septic tank effluent

3 YEAR
RESIDENTIAL
WARRANTY



37 Forestwood Dr., Romeoville, IL 60446
www.ionproducts.net [815] 886-9200

Patent No. 8,591,198

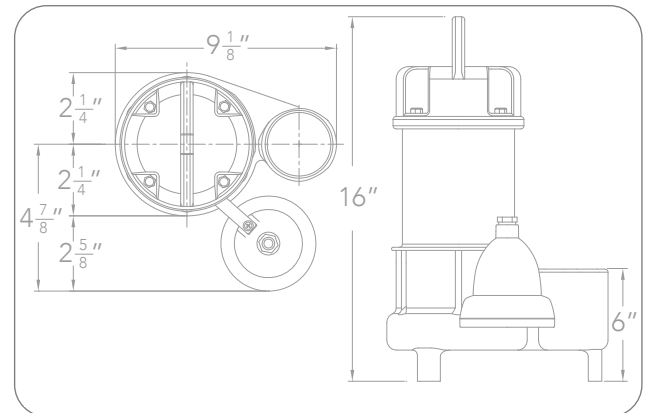
SHV40i

Sewage Pump

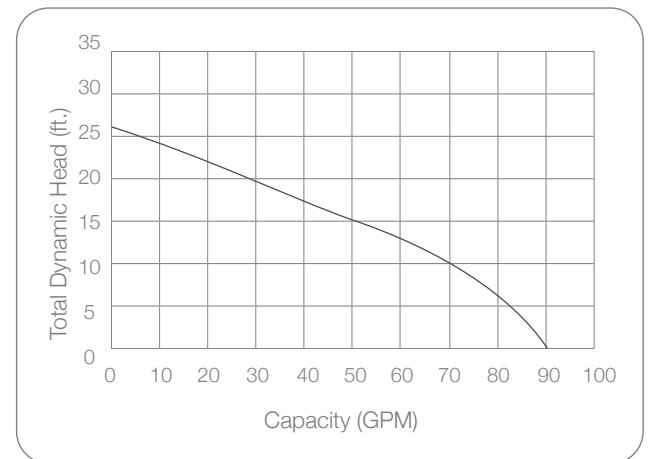
System Specifications

Typical Applications	<ul style="list-style-type: none">• Light commercial sewage• Residential sewage• High-capacity sump• Septic tank effluent
Maximum Capacity	Up to 90 GPM
Maximum Head	Up to 25'
Electrical Data	<ul style="list-style-type: none">• 115 V, 1 Ø, 8.5 FLA, 60 Hz• 230 V, 1 Ø, 4.3 FLA, 60 Hz
Motor Data	1/2 HP, 3450 RPM
Intermittent Liquid Temperature	130° F
Recommended Minimum Basin Size	18" x 30"
Automatic Operation	i: Ion Digital Level Control (standard) W: Wide angle switch M: Manual
Manual Operation	
Materials of Construction	Cast iron and stainless steel
Impeller	Cast iron vortex
Power Cord	20' Standard
Discharge	2" NPT
Solids Handling	2"

Pump Dimensions



Pump Performance



Features

- Carbon ceramic mechanical seal
- Automatic reset thermal overload for maximum protection
- Lower single-row ball-bearing construction
- Ion® digital level control piggyback switch has no moving parts (standard)
- 3 year residential warranty