

60-INCH END DRAIN SHOWER BASES



Home Innovation
LAB CERTIFIED™

Oasis



MODELS

SB-6030R/L (RH or LH drain)
SB-6032R/L (RH or LH drain)
SP-60R/L (RH or LH drain)

Rough-In Dimensions	SB-6030R/L	60" wide x 30" deep x 5-1/4" high
	SB-6032R/L	60" wide x 32" deep x 5-1/4" high
	SP-60R/L	60" wide x 37-1/4" deep x 7-1/4" high

Finished Dimensions	SB-6030R/L	60" wide x 30" deep x 4" high (std model)
	SB-6032R/L	60" wide x 32" deep x 4" high (std model)
	SP-60R/L	60" wide x 36" deep x 6" high

Unit Features

- One-Piece Gelcoat Surface
- 3-3/8" End Drain (see reverse side for location)
- Integral Tile Flange
- Dual / Ledge Drain Channels
- Balsa Wood Core Floor Structure
- Textured Floor Pattern

Special Notes

- ABF Models Provide 3-Inches of Drain Clearance
- Individually Packaged In Carton

Unit Order Number

Gelcoat: SB-6030R (4-inch dam)
SB-6030R ABF (6-inch dam)
SB-6030L (4-inch dam)
SB-6030L ABF (6-inch dam)

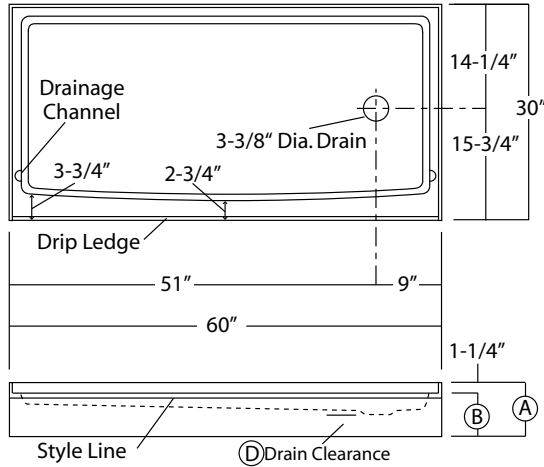
SB-6032R (4-inch dam)
SB-6032R ABF (6-inch dam)
SB-6032L (4-inch dam)
SB-6032L ABF (6-inch dam)

Unit Order Number

Gelcoat: SP-60R (6-inch dam)
SP-60L (6-inch dam)

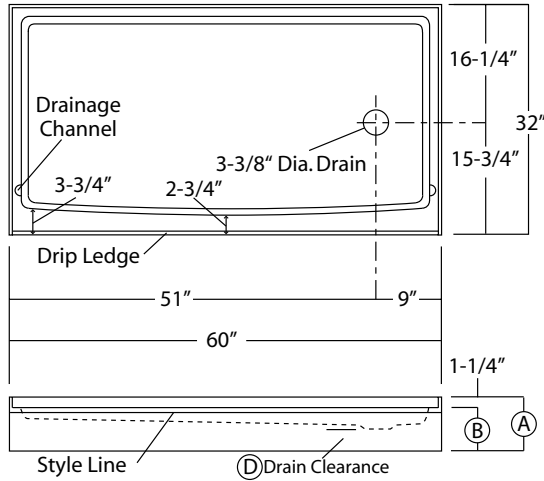
SB-6030R ABF (illustrated)

	Std Unit	ABF Unit
A	5-1/4"	7-1/4"
B	4"	6"
C	-	-
D	1"	3"



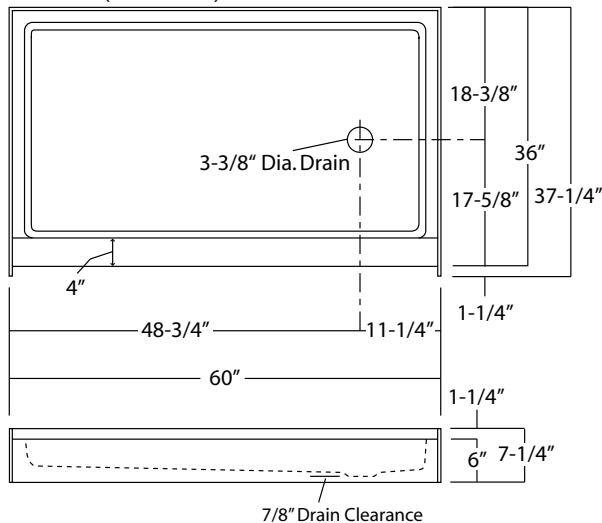
SB-6032R ABF (illustrated)

	Std Unit	ABF Unit
A	5-1/4"	7-1/4"
B	4"	6"
C	-	-
D	1"	3"



NOTE: Critical enclosure dimensions should be taken directly from the installed shower base with finished wall surround.

SP-60R (illustrated)



Photographic images may include optional components and appear different than actual product. Dimensions shown are maximum. Due to the nature of the materials involved, actual unit dimensions can vary (tolerances: +0 / -3/8 inch). Oasis reserves the right to modify or discontinue product and/or associated equipment without prior written or verbal notification or obligation.