

Features

- Alcove installation
- 16" apron
- Vikrell material
- Right drain
- Compatible with tile-down installation
- Compatible with Ensemble wall set (71104100)



ADA

Codes/Standards



- CSA B45.5/IAPMO Z124
- ASTM E162
- ASTM E662
- Greenguard UL 2818 - Gold
- ADA
- ICC/ANSI A117.1

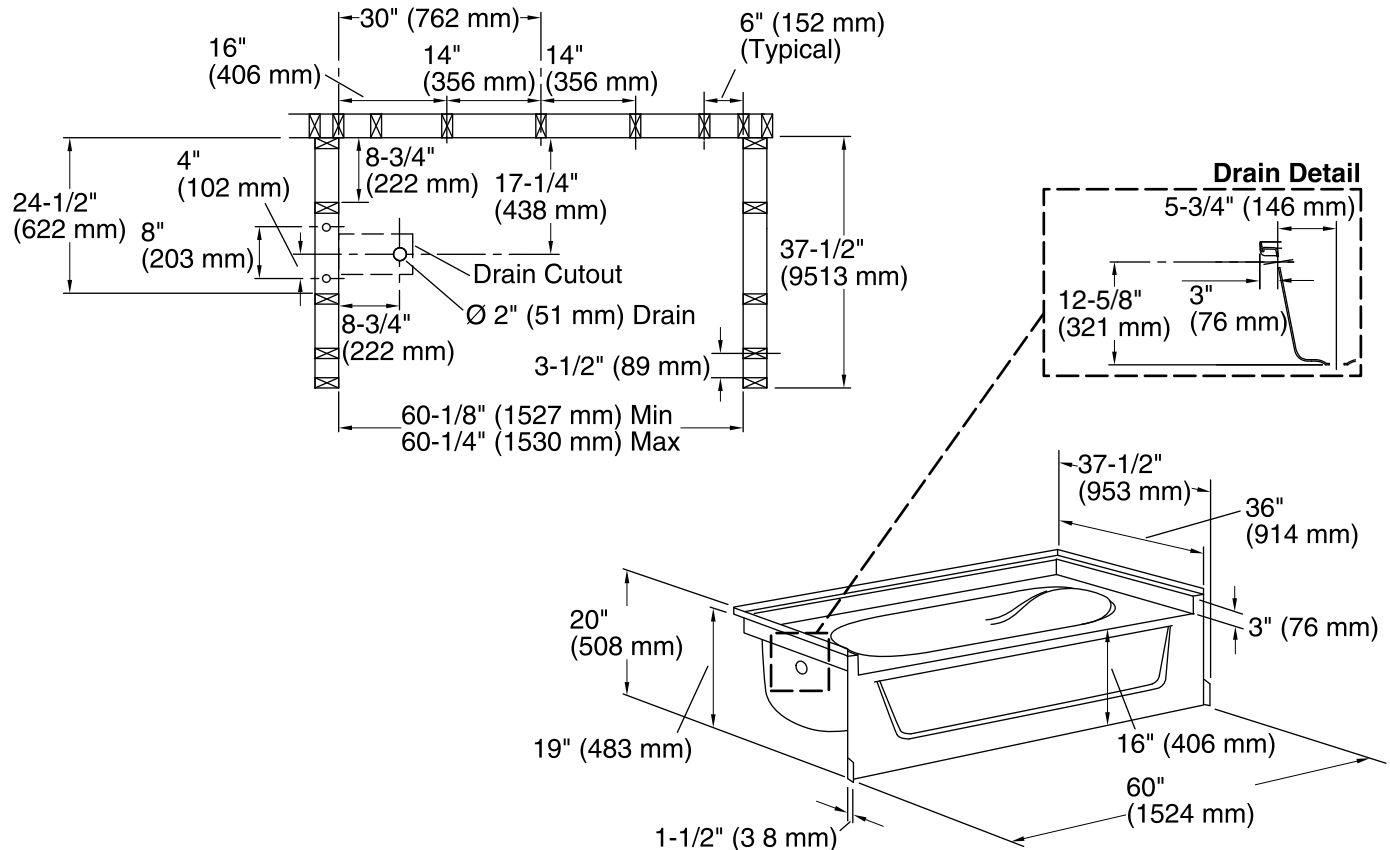
Warranty – Bathing Fixtures (and) Kitchen and Utility Sinks Made of Solid Vikrell® Material

See website for detailed warranty information.

Available Colors/Finishes

Color tiles intended for reference only.

| Color | Code | Description |
|--|------|----------------|
|  | 0 | White |
|  | 96 | KOHLER Biscuit |



Technical Information

All product dimensions are nominal.

| | |
|------------------------|------------------------------|
| Installation: | Three-wall alcove |
| Drain location: | Right |
| Basin area, bottom: | 40" x 21" (1016 mm x 533 mm) |
| Basin area, top: | 52" x 29" (1321 mm x 737 mm) |
| Water depth: | 11" (279 mm) |
| Water capacity: | 40 gal (151.4 L) |
| Minimum flat for door: | 3-1/4" (83 mm) |
| Maximum door width: | 58-1/2" (1486 mm) |

Notes

Install this product according to the installation instructions.

Stud positioning is critical.

ADA compliant when installed to the specific requirements of these regulations.