



# T&S BRASS AND BRONZE WORKS, INC.

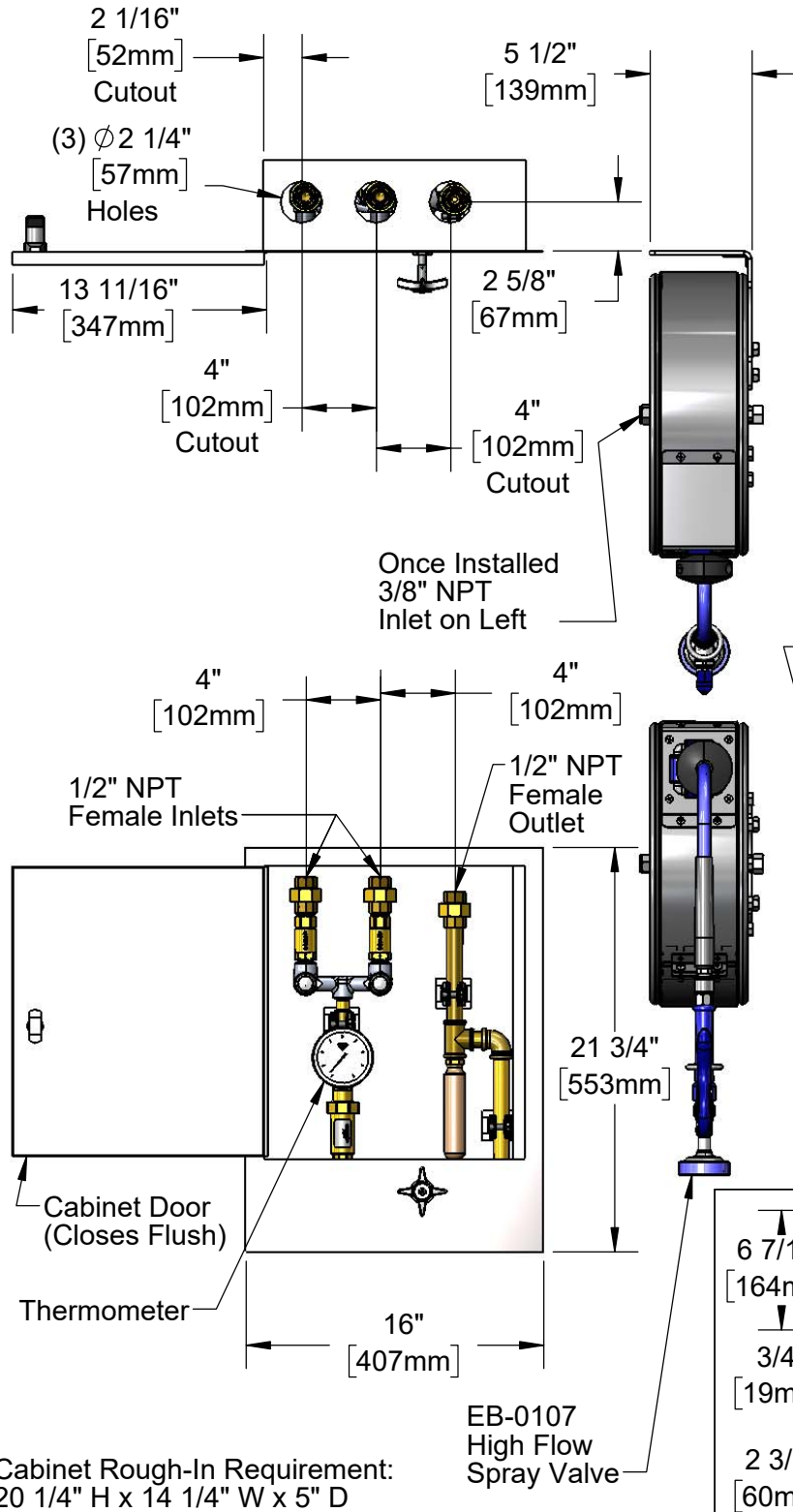
2 Saddleback Cove / P.O. Box 1088  
Travelers Rest, SC 29690

Model No.

**B-2339**

Item No.

Travelers Rest, SC: 800-476-4103 • Simi Valley, CA: 800-423-0150 • Fax: 864-834-3518 • www.tsbrass.com



This Space for Architect/Engineer Approval

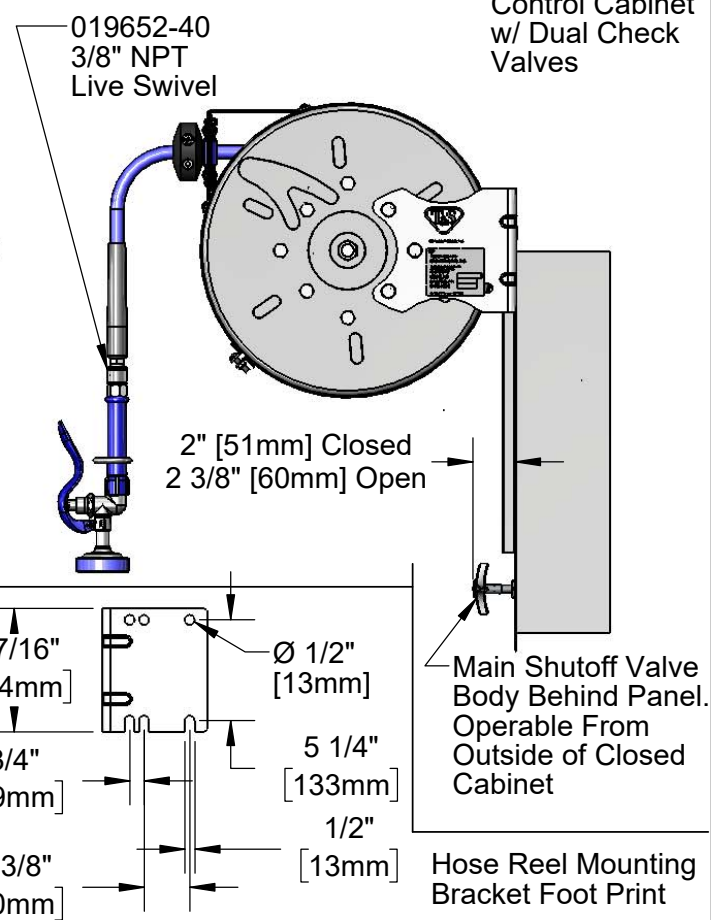
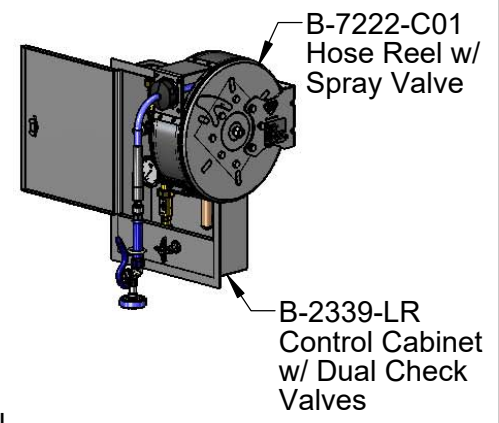
Job Name \_\_\_\_\_ Date \_\_\_\_\_

Model Specified \_\_\_\_\_ Quantity \_\_\_\_\_

Customer/Wholesaler \_\_\_\_\_

Contractor \_\_\_\_\_

Architect/Engineer \_\_\_\_\_



Cabinet Rough-In Requirement:  
20 1/4" H x 14 1/4" W x 5" D

Product Specifications:  
Enclosed Hose Reel w/ 30' Hose, High Flow Spray Valve w/ Swivel,  
Rinse Control Cabinet w/ Control Valve, Dual Check Valves,  
Thermometer & Water Hammer Arrestor

Product Compliance:  
ASME A112.18.1 / CSA B125.1  
ASSE 1024 (VB)  
NSF 61 Exempt (Non-Potable)  
EPA 2005 Non-Compliant (PRSV)



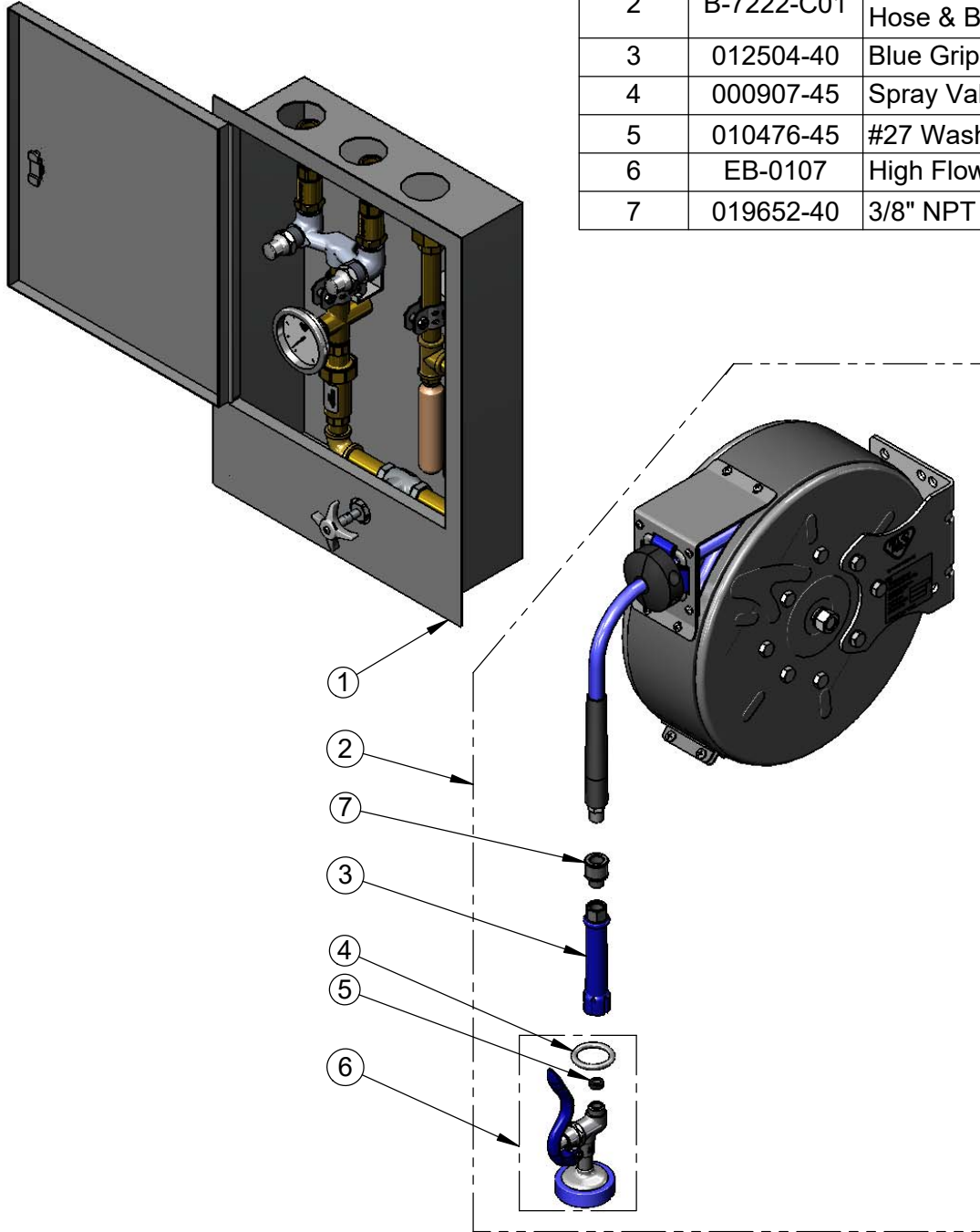
**T&S BRASS AND BRONZE WORKS, INC.**  
 2 Saddleback Cove / P.O. Box 1088  
 Travelers Rest, SC 29690

Model No.  
**B-2339**

Item No.

Travelers Rest, SC: 800-476-4103 • Simi Valley, CA: 800-423-0150 • Fax: 864-834-3518 • www.tsbrass.com

ITEM NO.	SALES NO.	DESCRIPTION
1	B-2339-LR	Reel Control Cabinet w/ Control Valve, Dual Check Valves & Thermometer
2	B-7222-C01	Enclosed Coated Reel w/ 30' of 3/8" Hose & Blue Spray Valve
3	012504-40	Blue Grip Handle
4	000907-45	Spray Valve Hold Down Ring
5	010476-45	#27 Washer
6	EB-0107	High Flow Spray Valve
7	019652-40	3/8" NPT Live Swivel



Product Specifications:  
 Enclosed Hose Reel w/ 30' Hose, High Flow Spray Valve w/ Swivel,  
 Rinse Control Cabinet w/ Control Valve, Dual Check Valves,  
 Thermometer & Water Hammer Arrestor

Product Compliance:  
 ASME A112.18.1 / CSA B125.1  
 ASSE 1024 (VB)  
 NSF 61 Exempt (Non-Potable)  
 EPA Act 2005 Non-Compliant (PRSV)