



T&S BRASS AND BRONZE WORKS, INC.

2 Saddleback Cove / P.O. Box 1088
Travelers Rest, SC 29690

Model No.

B-2991-WA

Item No.

Travelers Rest, SC: 800-476-4103 • Simi Valley, CA: 800-423-0150 • Fax: 864-834-3518 • www.tsbrass.com

This Space for Architect/Engineer Approval

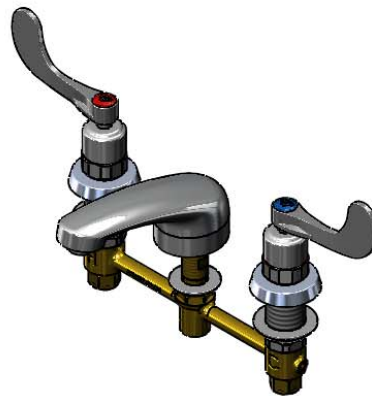
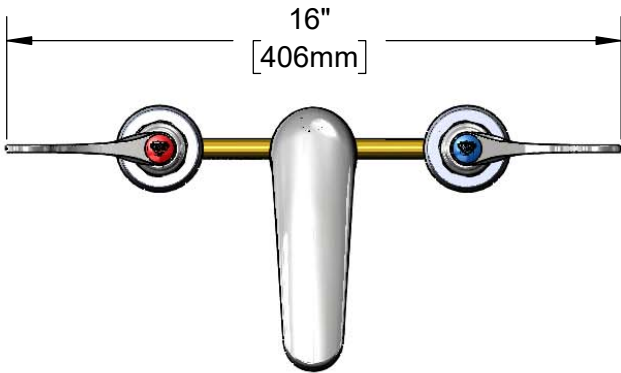
Job Name _____ Date _____

Model Specified _____ Quantity _____

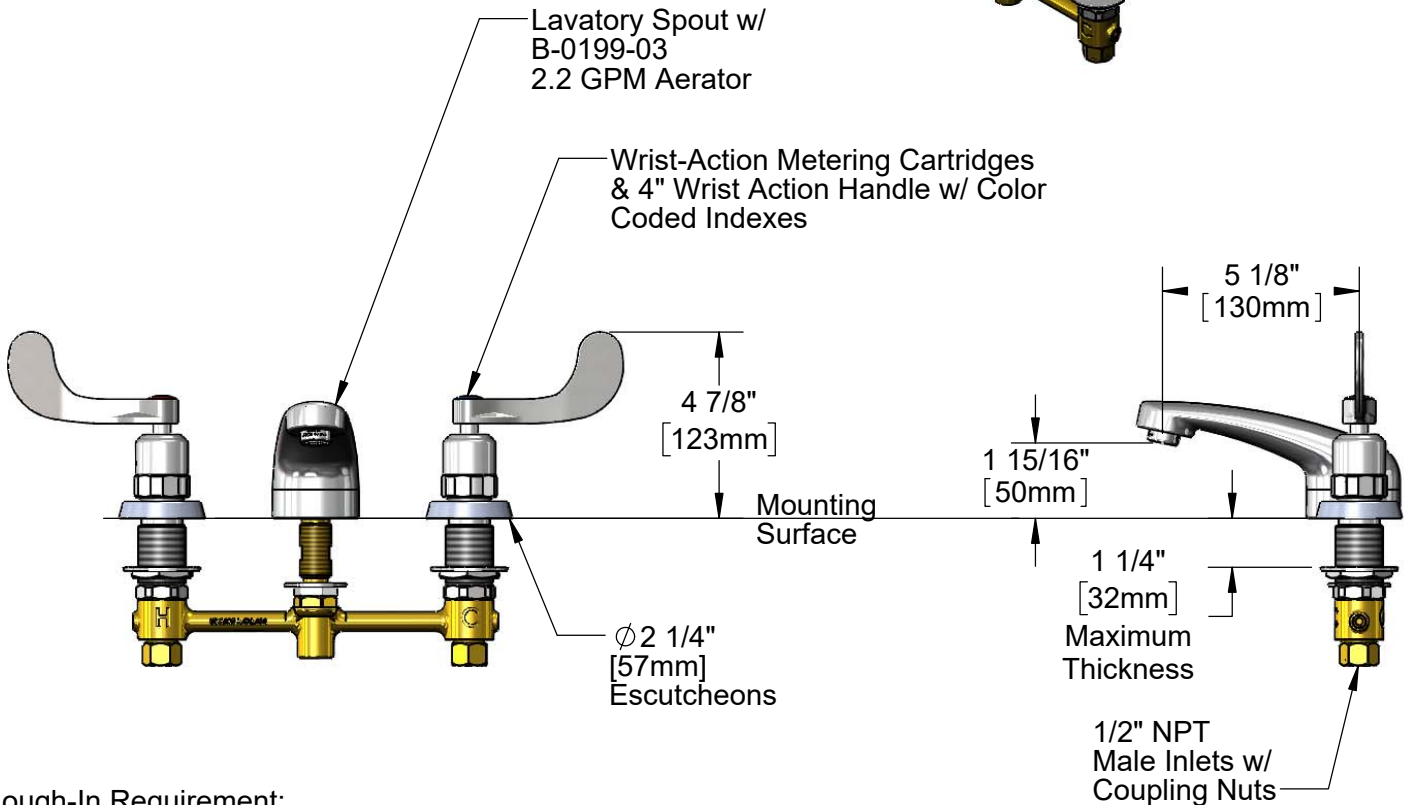
Customer/Wholesaler _____

Contractor _____

Architect/Engineer _____



ADA Compliant



Rough-In Requirement:
Center Shank: 1" [25mm] Mounting Hole
Hot/Cold Bodies: 1 1/2" [38mm] Mounting Holes

Product Specifications:

8" Concealed Widespread EasyInstall Mixing Faucet, 4" Wrist Action Handles, Wrist Action Metering Cartridges, Cast Spout w/ 2.2 GPM Aerator and 1/2" NPT Male Inlets

Product Compliance:

ASME A112.18.1 / CSA B125.1
NSF 61 - Section 9
NSF 372 (Low Lead Content)
ANSI A117.1 (ADA)

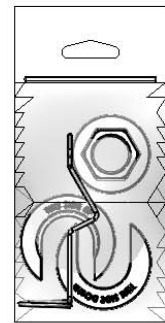
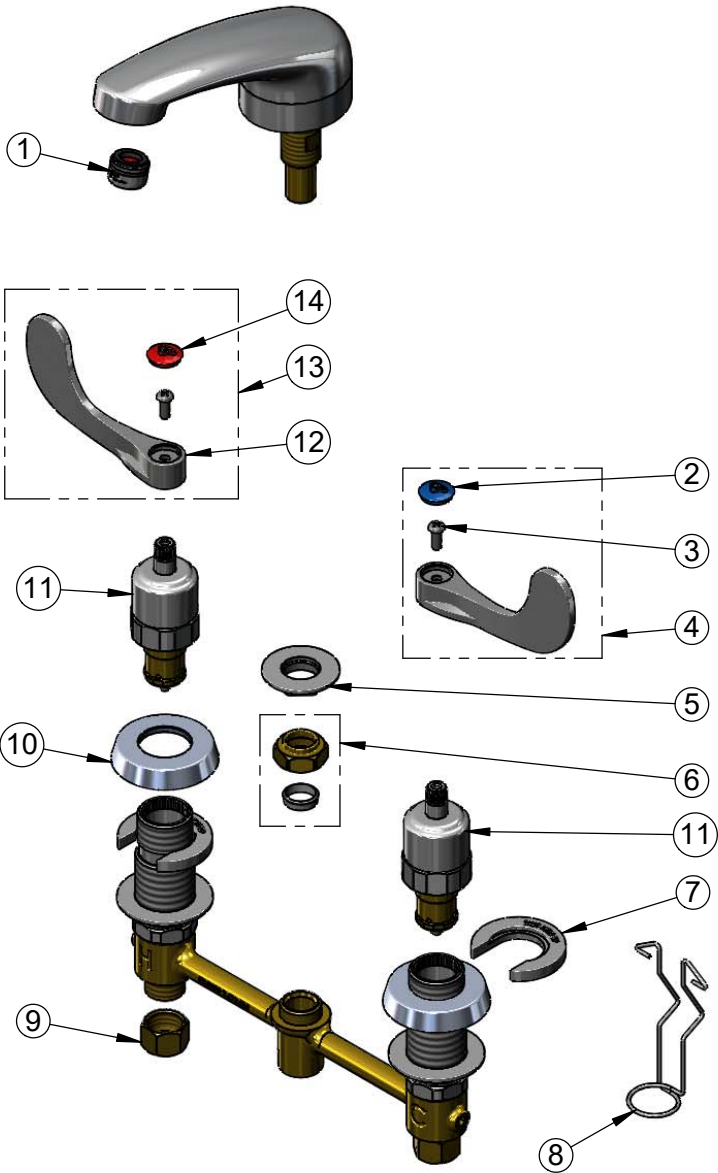


T&S BRASS AND BRONZE WORKS, INC.
 2 Saddleback Cove / P.O. Box 1088
 Travelers Rest, SC 29690

Model No.
B-2991-WA
 Item No.

Travelers Rest, SC: 800-476-4103 • Simi Valley, CA: 800-423-0150 • Fax: 864-834-3518 • www.tsbrass.com

ITEM NO.	SALES NO.	DESCRIPTION
1	B-0199-03	2.2 GPM Aerator
2	018506-19NS	Blue Button Index, Press-in
3	000925-45	Lab Handle Screw
4	B-WH4C-NS	Wrist Action Handle, Blue Index & Screw
5	016742-45	Center Flange Nut
6	016745-45	Compression Nut & Fitting
7	016749-45	Sidebody C-Washer
8	016777-45	CWS Hanger
9	000958-20	Coupling Nut
10	017292-45	Metering CWS Escutcheon
11	012449-40	Wrist Action Metering Cartridge
12	B-WH4-NS	Wrist Action Handle - New Style
13	B-WH4H-NS	Wrist Action Handle, Red Index & Screw
14	001193-19NS	Red Button Index, Press-in



017245-40
 Installation Repair Kit
 Includes #5, (2) #7, & #8

Product Specifications:
 8" Concealed Widespread EasyInstall Mixing Faucet, 4" Wrist Action Handles, Wrist Action Metering Cartridges, Cast Spout w/ 2.2 GPM Aerator and 1/2" NPT Male Inlets

Product Compliance:
 ASME A112.18.1 / CSA B125.1
 NSF 61 - Section 9
 NSF 372 (Low Lead Content)
 ANSI A117.1 (ADA)