



T&S BRASS AND BRONZE WORKS, INC.

2 Saddleback Cove / P.O. Box 1088
Travelers Rest, SC 29690

Model No.

PG-8WESV08ZCJZF

Item No.

Travelers Rest, SC: 800-476-4103 • Simi Valley, CA: 800-423-0150 • Fax: 864-834-3518 • www.tsbrass.com

This Space for Architect/Engineer Approval

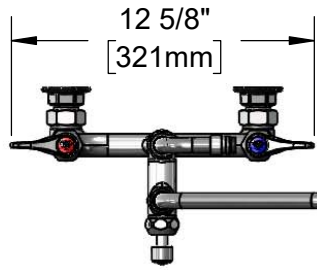
Job Name _____ Date _____

Model Specified _____ Quantity _____

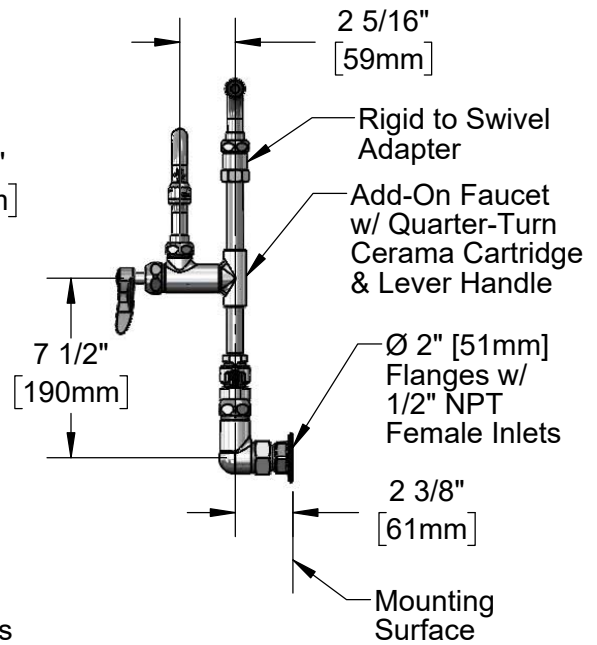
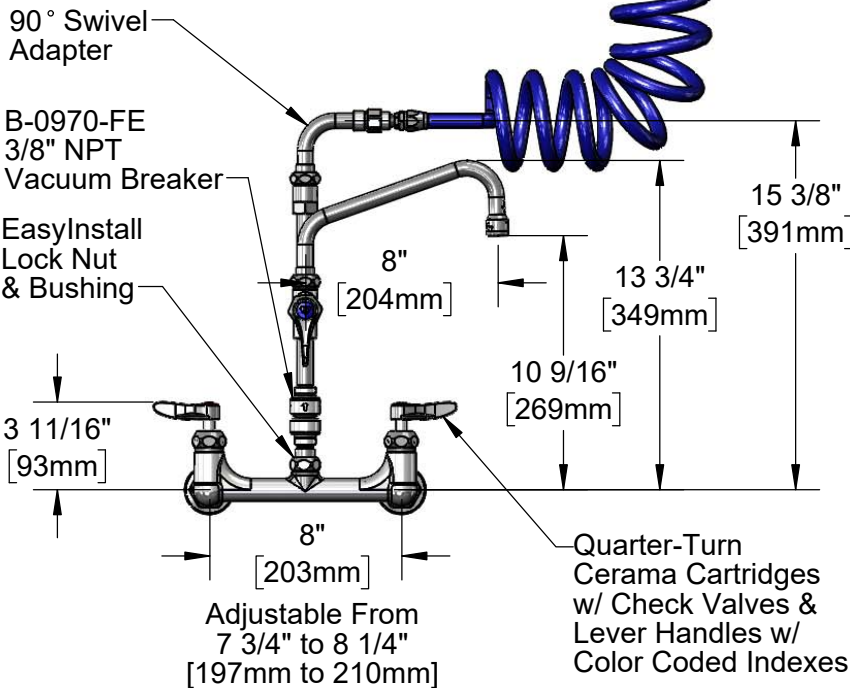
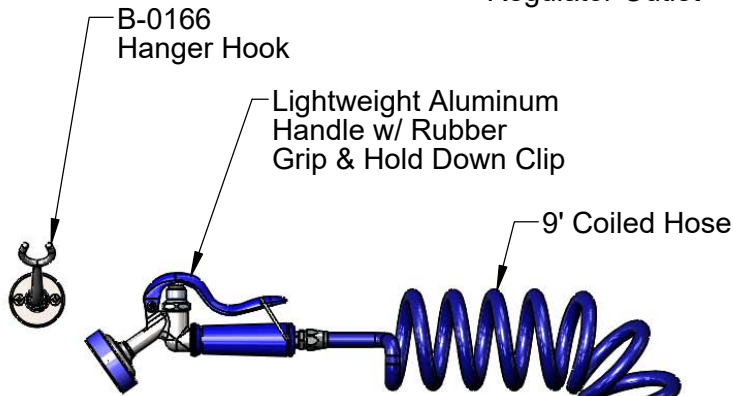
Customer/Wholesaler _____

Contractor _____

Architect/Engineer _____



060X
8" Swing Nozzle
w/ Stream
Regulator Outlet



Product Specifications:

8" Wall Mount Mixing Faucet, Quarter-Turn Cerama Cartridges w/ Check Valves, Lever Handles, Add-On Faucet, 8" Swing Nozzle w/ Stream Regulator Outlet, Vacuum Breaker, High Flow Angled Spray Valve, 9' Coiled Hose & 1/2" NPT Female Inlets

Product Compliance:

ASME A112.18.1 / CSA B125.1
NSF 61 Exempt (Non-Potable)
EPA Act 2005 Non-Compliant (PRSV)
CSA B64.8 (VB)



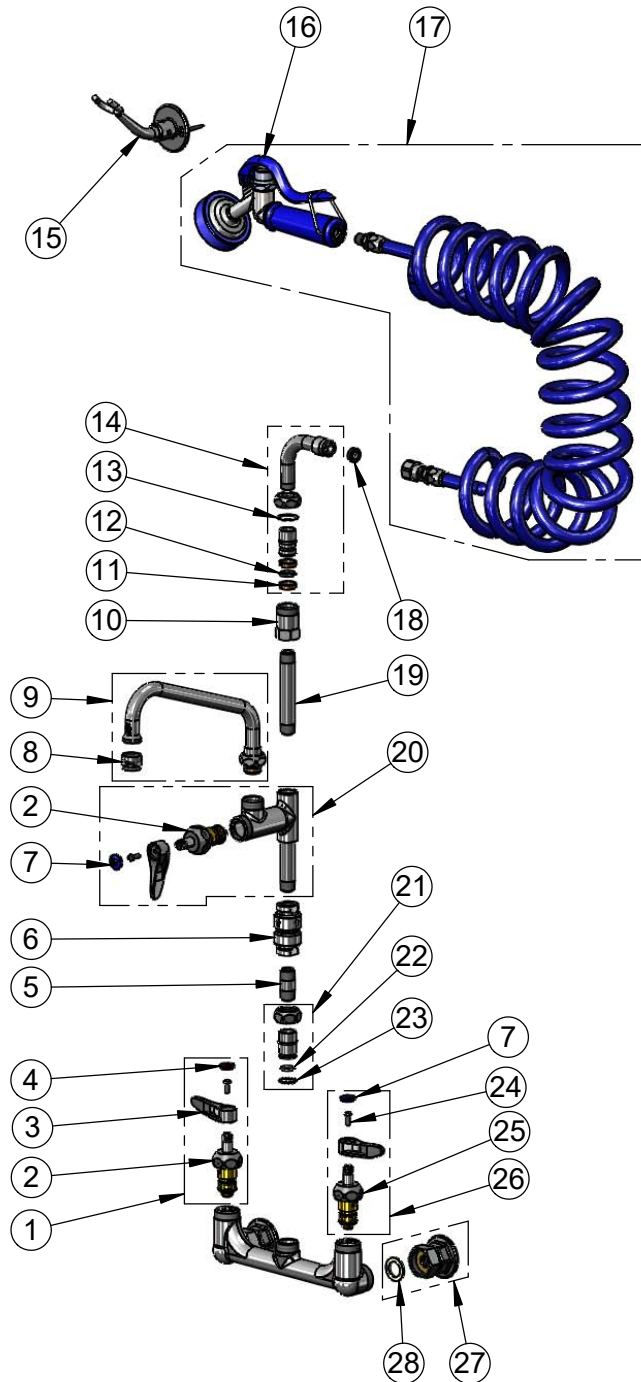
T&S BRASS AND BRONZE WORKS, INC.

2 Saddleback Cove / P.O. Box 1088
Travelers Rest, SC 29690

Model No.
PG-8WESV08ZCJZF

Item No.

Travelers Rest, SC: 800-476-4103 • Simi Valley, CA: 800-423-0150 • Fax: 864-834-3518 • www.tsbrass.com



ITEM NO.	SALES NO.	DESCRIPTION
1	012446-25NS	Quarter-Turn Cerama Cartridge w/ Check Valve, Handle, Red Index & Screw, RTC
2	012394-25NS	Quarter-Turn Cerama Cartridge w/ Check Valve, RTC
3	001638-45NS	Lever Handle (New Style)
4	001193-19NS	Red Button Index, Press-in
5	002341-40	Nipple, 3/8" NPT x 1 1/2"
6	B-0970-FE	3/8" NPT Vacuum Breaker
7	018506-19NS	Blue Button Index, Press-in
8	B-PT	Full Flow Stream Regulator, 55/64-27
9	060X	8" Swing Nozzle
10	054X	Swivel Body
11	011429-45	Swivel Sleeves (2)
12	001074-45	O-Ring
13	009538-45	Swivel Washer
14	034A	90° Swivel Adapter
15	B-0166	Wall Hook
16	PG-35AV	Aluminum Angled Spray Valve
17	PG-35AV-CH05	Spray Valve w/ 9' Coiled Hose
18	010476-45	#27 Washer
19	000360-40	Nipple, 3/8" NPT x 4"
20	B-0155-CR-LN	Add-On Faucet w/ Quarter-Turn Cerama Cartridge, RTC & Lever Handle, Less Nozzle
21	EZ-K	EasyInstall Kit
22	001065-45	O-Ring
23	014200-45	Star Washer, Anti-Rotation
24	000925-45	Lab Handle Screw
25	012395-25NS	Quarter-Turn Cerama Cartridge w/ Check Valve, LTC
26	012447-25NS	Quarter-Turn Cerama Cartridge w/ Check Valve, Handle, Blue Index & Screw, LTC
27	00AA	1/2" NPT Female Eccentric Flange
28	001019-45	Coupling Nut Washer

Product Specifications:

8" Wall Mount Mixing Faucet, Quarter-Turn Cerama Cartridges w/ Check Valves, Lever Handles, Add-On Faucet, 8" Swing Nozzle w/ Stream Regulator Outlet, Vacuum Breaker, High Flow Angled Spray Valve, 9' Coiled Hose & 1/2" NPT Female Inlets

Product Compliance:

ASME A112.18.1 / CSA B125.1
NSF 61 Exempt (Non-Potable)
EPA Act 2005 Non-Compliant (PRSV)
CSA B64.8 (VB)